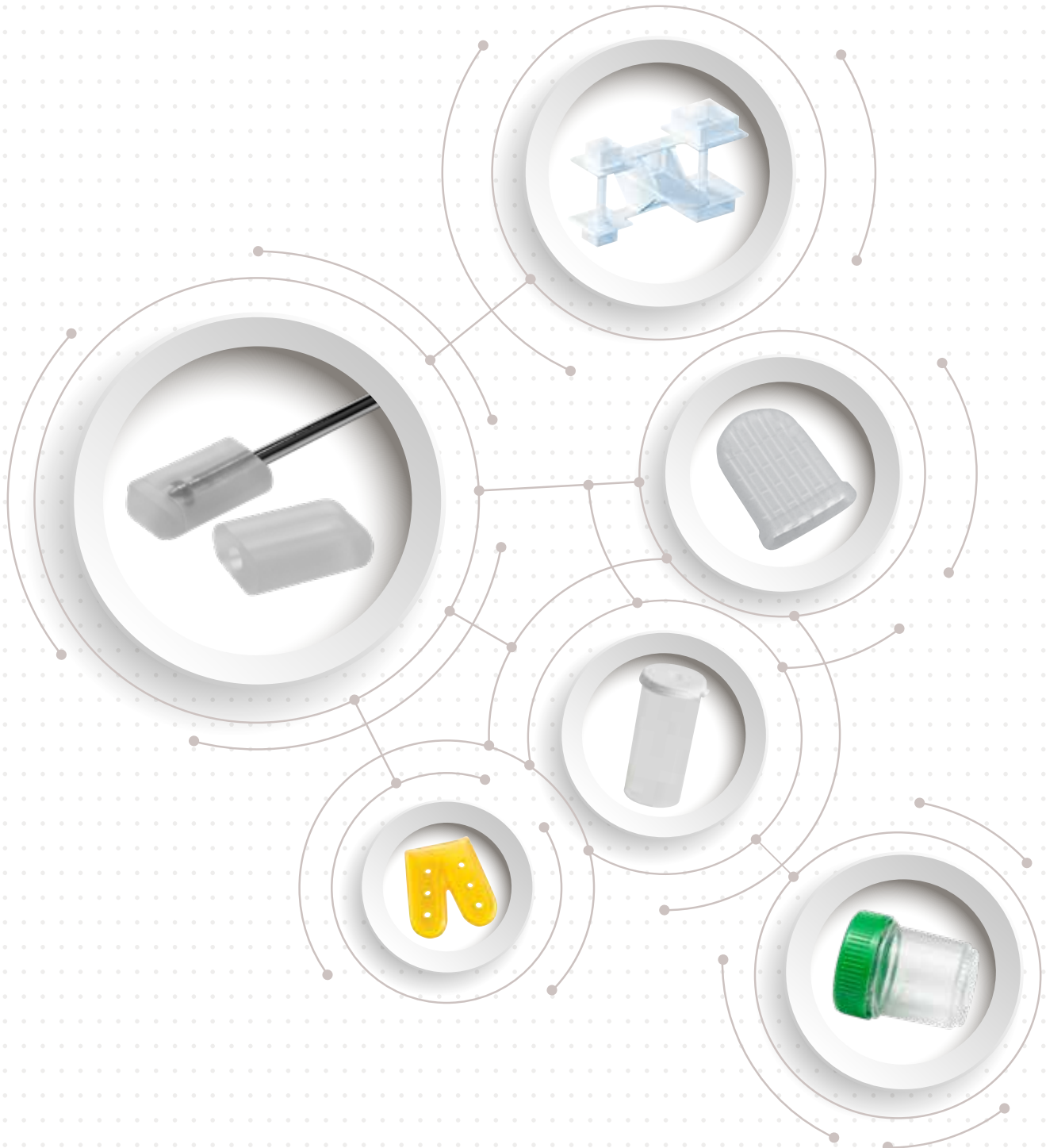
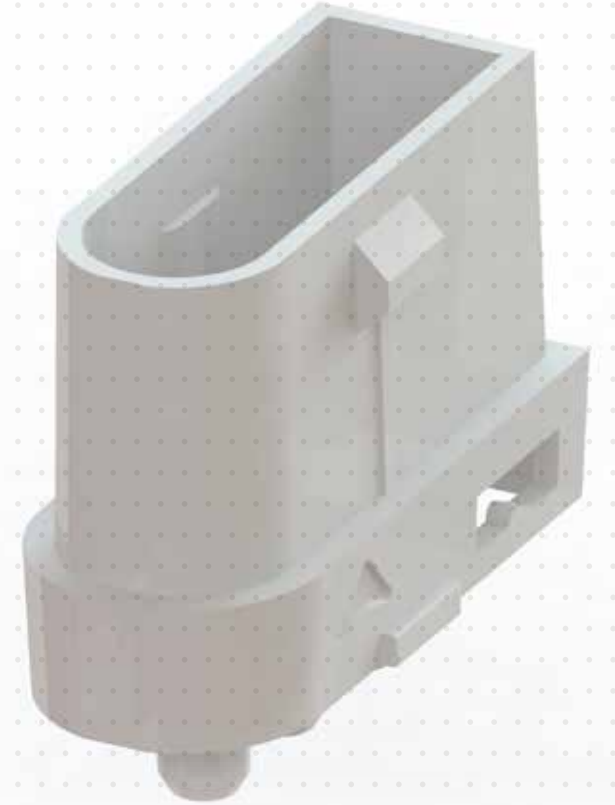
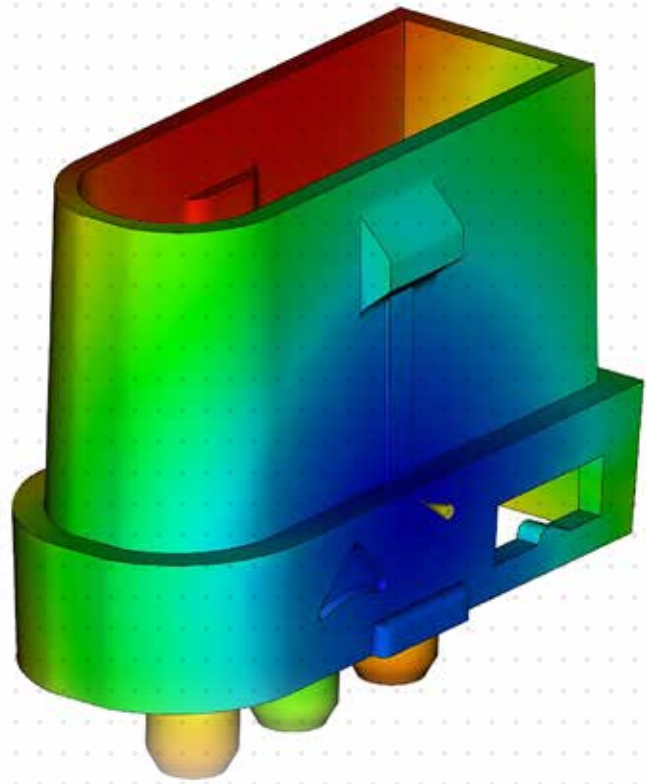




Molded Medical Solutions

Leader in Plastic Molding since 1948





Caplugs: Trusted Supplier to the Top 30 Medical Device Manufacturers

A leader in plastic molding since 1948, Caplugs has a division dedicated to solutions for the medical industry. Our extensive tooling and molding expertise, coupled with our years of experience working with leaders in the medical field, make Caplugs the ideal molding partner. Caplugs custom process is built to be collaborative and leverage all manufacturing capabilities to remain agile and foster innovation. At Caplugs, flexibility and innovation are critical to our customers. We are

committed to delivering the solutions you need, when you need them, even in the most demanding environments. Our experienced customer and technical service specialists and in-field sales force offer a true partnership to you and your team, and our 10 global manufacturing facilities provide stability and scalability you can rely on.

ISO 13485
 ISO 9001
 IATF 16949
 ISO 14001
REGISTERED

The Proof is in the Numbers

1,300
 medical customers

70
 years serving medical industries

30
 top medical device manufacturers trust us

10
 global manufacturing facilities

the 1 partner you need

Your One-Stop Solution



Medical Device Protection & Packaging



Single-Use Labware



Custom Molded Solutions



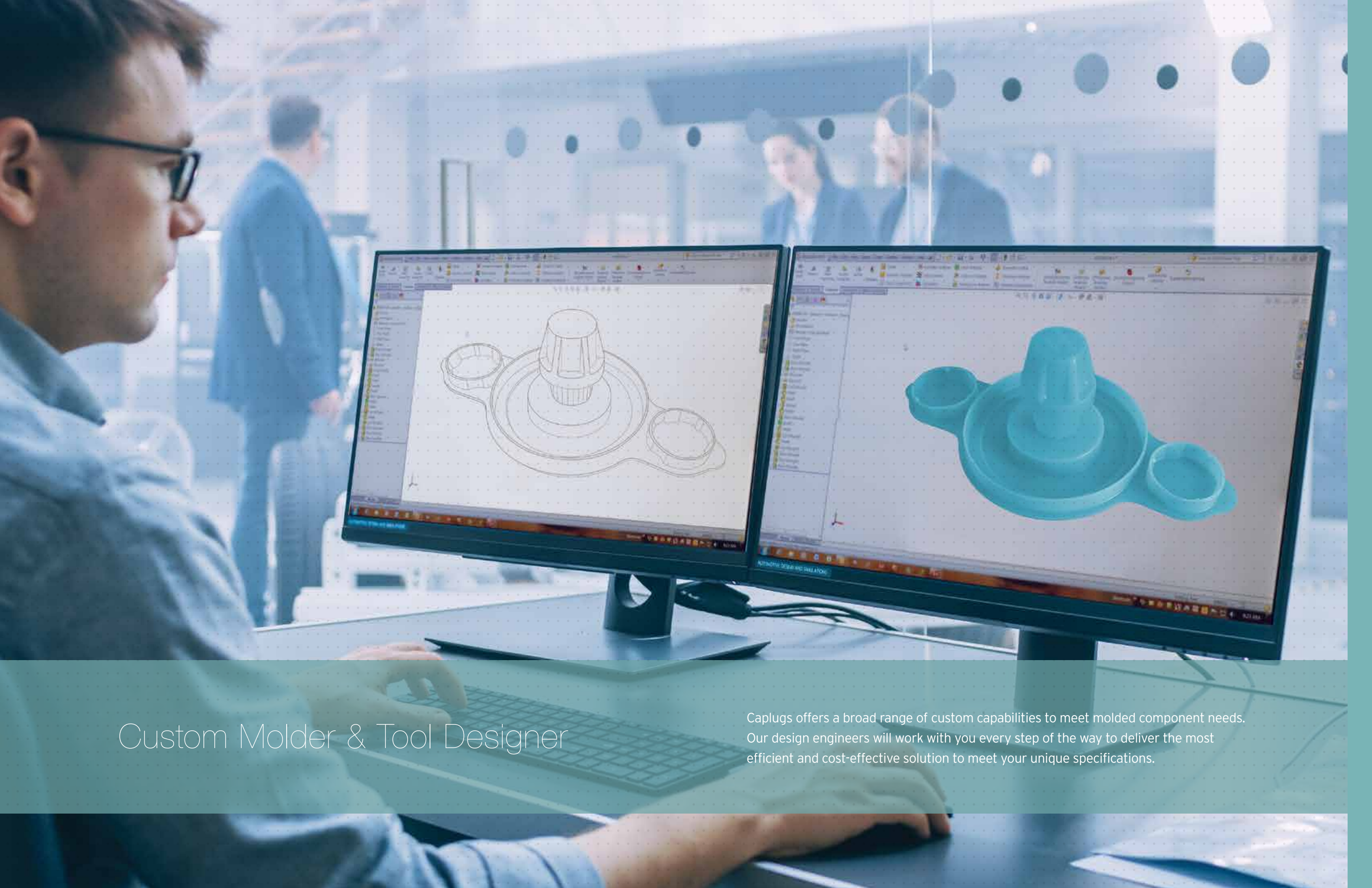
Collaborative Partner



World-Class Service



40,000+ Catalog Parts



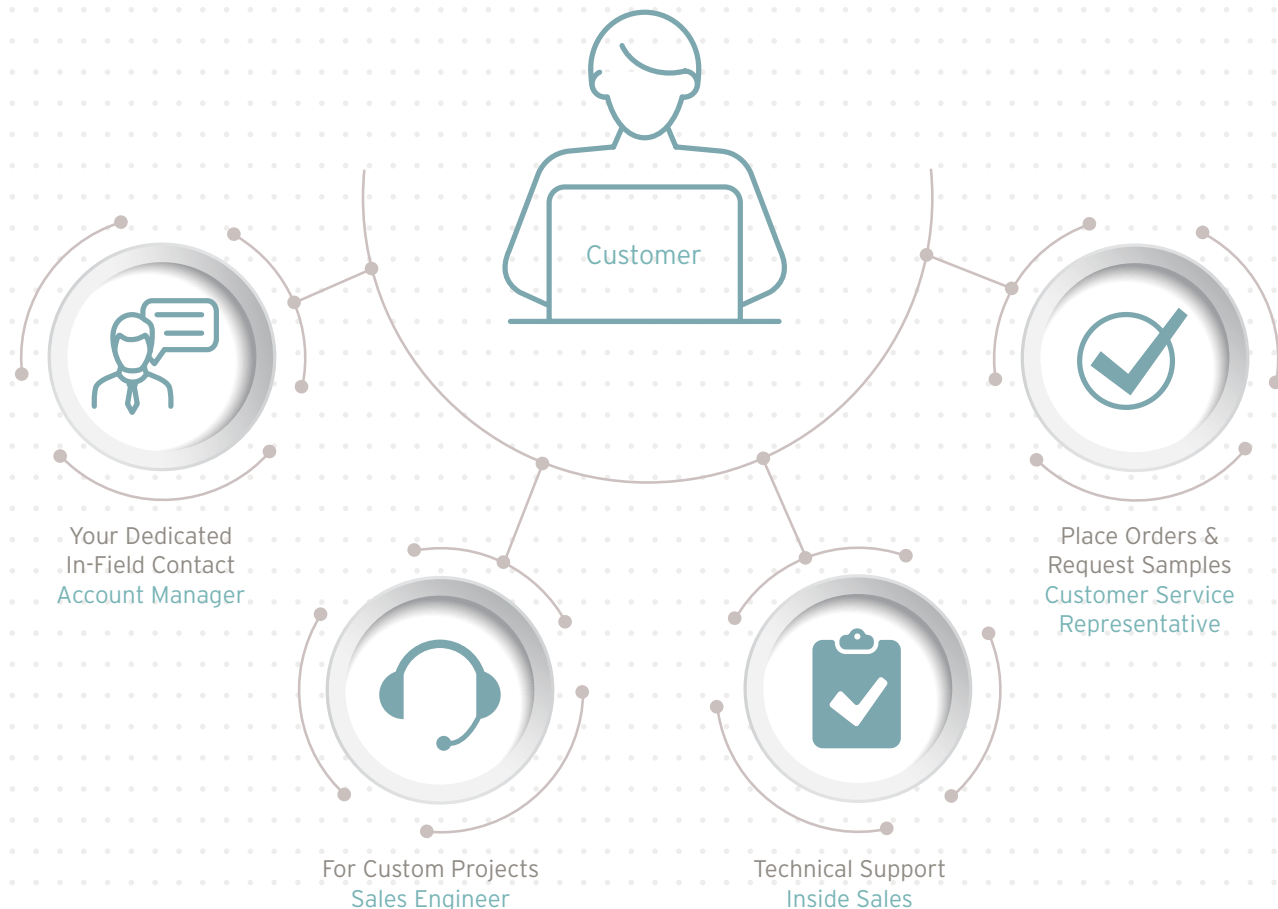
Custom Molder & Tool Designer

Caplugs offers a broad range of custom capabilities to meet molded component needs. Our design engineers will work with you every step of the way to deliver the most efficient and cost-effective solution to meet your unique specifications.

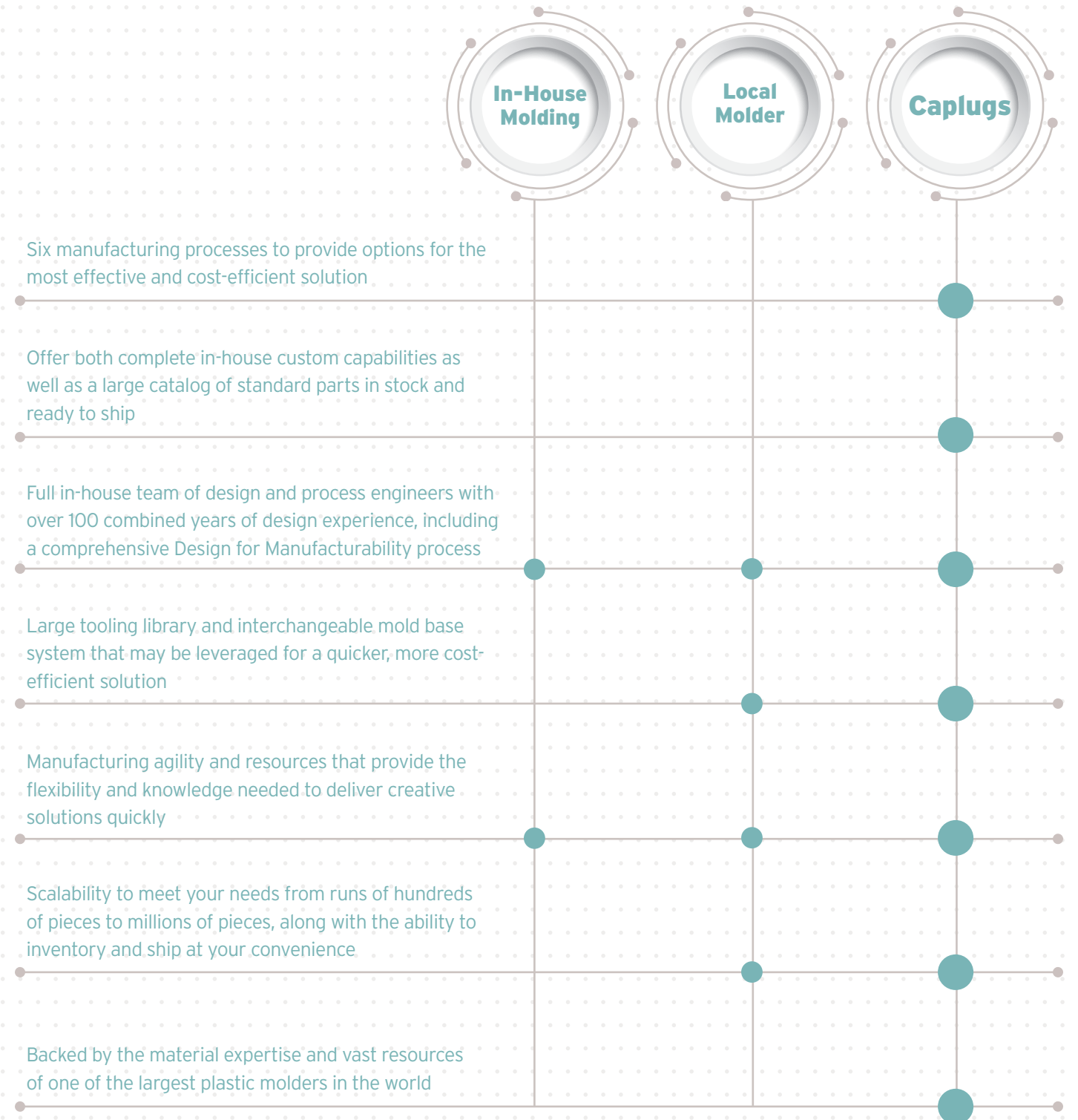


We Put a Team in Your Corner

Caplugs delivers unmatched custom molding support by providing everything you need inside our own walls. Every customer is assigned their own dedicated team of medical experts. Our team understands the high-pressure and fast-paced environment of the medical industry, and we work to provide rapid response times to ensure your project is completed on time.



Why Caplugs is the Smart Choice



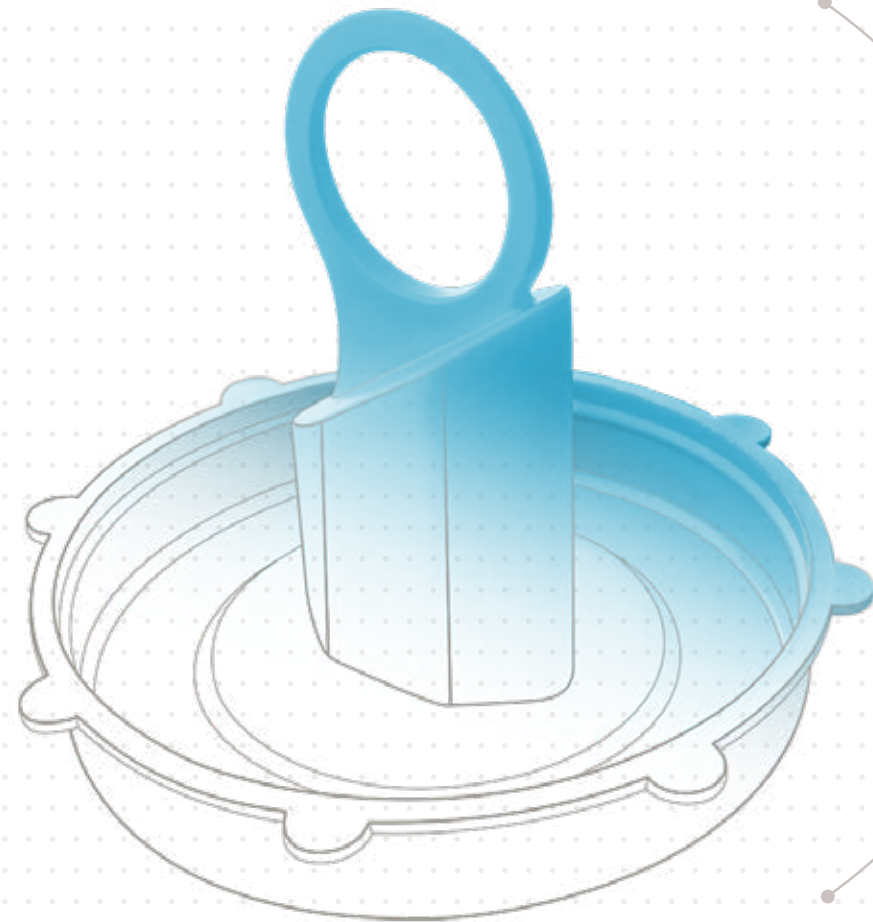
More than a Vendor

You need a partner that will bring the value, capabilities and scalability to optimize the long-term efficiency and productivity of your operations. Caplugs is built to serve your needs for decades. With multiple molding processes and 10 global manufacturing facilities, we deliver stability and value as an approved vendor.

Custom Engineered Solutions

Let our plastics and molding experts collaborate with your team to develop solutions that meet your unique specifications.

Caplugs utilizes Scientific Molding to prove out the processing parameters and a comprehensive IQ/OQ/PQ validation process that ensures consistent parts that meet customer specifications.



“Our dedicated medical team will collaborate to help solve your most challenging problems.”



Design & Collaborate

Our dedicated technical sales specialists and engineers assigned to each project will work with you to provide recommendations on part design, molding process, tool design and material selection. The team can concept a new design for you, re-engineer an existing part, review currently tooled options and discuss secondary manufacturing options. For customers who have their own part design, we go through our in-depth Design for Manufacturability process to ensure optimal molding process performance to deliver quality parts consistently for the life of the project.



Rapid Prototyping

Prototypes are built in-house to confirm fit requirements before production approval, ensuring high-quality outcomes. SLA and FDM prototypes are available or we can build single cavity prototype tools to prove out the design.



Advanced In-House Tool Fabrication

Molds are made in house for state-of-the-art accuracy and speed. This makes for shorter lead times and lower costs; we can build tools in as little as four weeks. We offer a wide range of cavitation options, an interchangeable mold base system and an extensive library of existing tools for scalability and efficiency.



Production Part Approval Process (PPAP)

Comprehensive PPAP process for custom projects. All 10 Caplugs facilities have manufacturing processes on site to ensure global service. A full in-house secondary department gives options to customize existing catalog parts with modifications such as hole punching, slicing, pad-printing and more. Caplugs is built to scale to meet our customers' needs whether it be 500 parts each year or millions of parts requiring safety stock for mission critical projects.



Packaging

Caplugs can also provide flexible and specialized packaging options including brick pack, stack pack, desiccant bags, double bag and anti-static packaging. We offer private label packaging as well.



Inventory Management

We offer a wide range of shipment and inventory solutions such as JIT, EDI, Portal Management, ASNs and more.

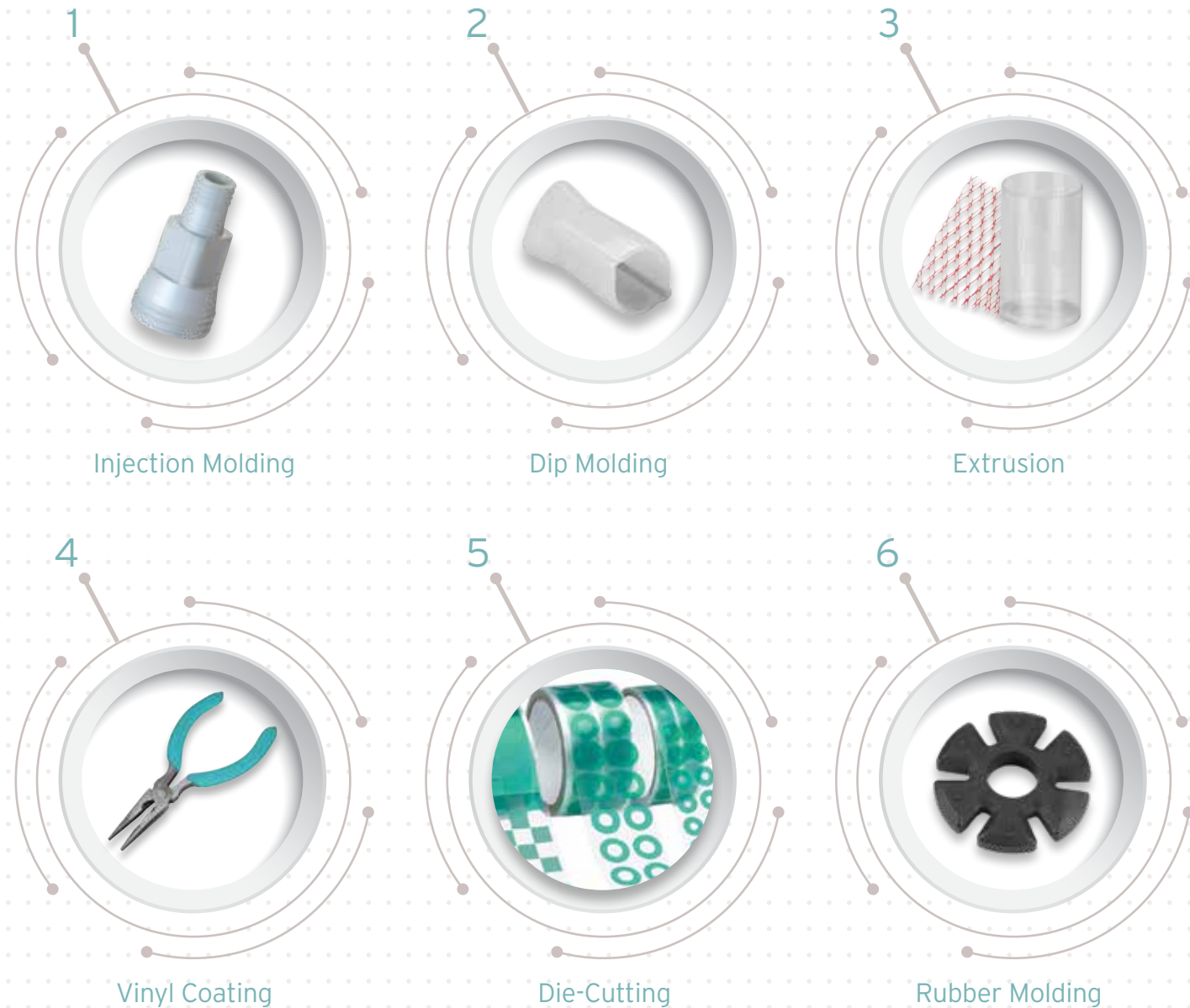


Manufacturing Powerhouse

Our range of expertise and molding processes allows us to select the best option for your specific application and provide the most efficient and cost-effective solution.

- > Wide range of materials to meet your specific needs
- > Electric and hydraulic presses
- > Part modification capabilities

- > Operations are scalable based on your volume requirements
- > Process controls ensure reliability and reproducibility
- > Dedicated clean room facility
- > Agile, clean manufacturing with portable clean rooms



Medical Grade Materials to Meet Specific Needs

Thermoplastic | Silicone | Polypropylene | Polyethylene | PVC | Polystyrene | Acrylic | PETG

With a wide range of materials to choose from, Caplugs engineering experts will consult with you to determine the best material for your application needs. We also have in-house chemists to offer compound mixing capabilities. For truly unique material requirements, we offer material compatibility specifications to ensure all of your needs are being met.

- > Non-phthalate
- > Latex-free
- > Gamma and EtO stable
- > ROHS Compliant
- > Anti-microbial
- > DEHP-free



Material Testing

- > Sterilization
 - Gamma irradiation
 - Ethylene oxide (EtO)
 - Electron beam processing irradiation (E-beam)
 - Autoclave
- > Cytotoxicity





Dedicated Clean Room Molding

- > Class 8 clean room
- > Three Vision systems
 - Standalone inspection
 - Two integrated inline inspection systems
- > End-of-arm tooling automation
- > Custom bagging automation
- > Pneumatic material feed into clean room
- > Portable clean rooms available for agile clean manufacturing



Comprehensive Medical Component Approval Process – MCAP

Utilizing Scientific Molding, we prove the processing parameters to ensure material performance meets your unique environment and specifications. These protocols ensure repeatability with documented process controls.



Qualification/Approval	Customer Sign-Off
IQ Installation	✓
OQ Operational	✓
PQ Performance	✓
First Article Production	✓



Orthopaedic, Surgical Tip and Port Protection

Caplugs offers a wide range of components to protect instruments, implants and exposed ports during shipment, storage and sterilization. Choose from hundreds of tip guards, open port caps and packaging options, including tube packaging, protective netting, containers and more that are in stock and ready to ship today.

EVC Series Ergonomic Vented Caps

EVC Series caps are designed to protect medical tubing and fittings. Allows for natural ventilation preventing pressure build-up during sterilization. Ideal for port protection on medical devices to keep particulates and contaminants out. These resilient caps are made of a medical grade elastomer.

- Ergonomic design makes it easy to install and remove
- The soft material and internal ribs cushion delicate medical fittings
- Also available in low-density polyethylene for industrial use on metal tubing and fittings

Material: Medical Grade Elastomer **Color:** See chart



Ergonomic Vented Caps EVC Series

Caplugs No.	Color	Dimensions												Packaging	
		A		B		C		D		E		F		Carton Quantity	Mini Pak Quantity
		In	mm	In	mm	In	mm	In	mm	In	mm	In	mm		
EVC-250-700	Red	.57	14.48	.88	22.35	.687	17.45	.279	7.09	.032	.81	.231	5.87	5000	1000
EVC-312-650	Yellow	.62	15.75	.83	21.08	.648	16.46	.341	8.66	.030	.79	.295	7.49	5000	1000
EVC-375-750	Blue	.69	17.53	.93	23.62	.747	18.97	.415	10.54	.030	.76	.357	9.07	5000	1000
EVC-437-750	Purple	.75	19.05	.93	23.62	.743	18.87	.474	12.04	.030	.79	.417	10.59	5000	1000
EVC-562-900	Green	.88	22.35	1.08	27.43	.903	22.94	.603	15.32	.030	.76	.541	13.74	3000	600

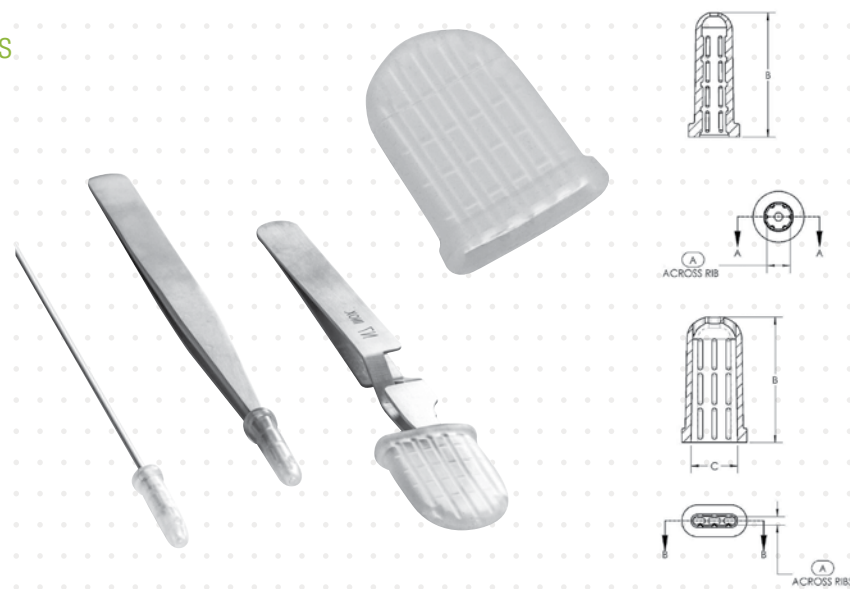
MVC Series Medical Vented Caps

Caplugs medical vented caps protect the delicate tips of sharp instruments during transportation, storage and handling. A channel design in the part walls prevents moisture from being trapped between the tip protector and the instrument. All parts are vented to ensure quick evaporation of moisture during sterilization.

- Natural color allows for full visibility of the instrument and safety of clinicians
- Available in two shapes: flat oval and round
- Vents ensure both full exposure to sterilization as well as moisture evaporation

Material: FDA-Grade Thermoplastic Elastomer

Color: Natural



Medical Vented Caps MVC Series

*Thru holes vary
** MVC-10007 through MVC-10009 are flat oval.

Caplugs No.	Dimensions						Packaging	
	A		B		C		Carton Quantity	Mini Pak Quantity
	In	mm	In	mm				
MVC-10001*	.07	1.8	.78	19.8	-	-	5000	1000
MVC-10002*	.07	1.8	.78	19.8	-	-	5000	1000
MVC-10003	.11	2.8	.81	20.5	-	-	5000	1000
MVC-10004	.14	3.5	1.05	26.7	-	-	5000	1000
MVC-10005	.20	5.1	1.05	26.7	-	-	5000	1000
MVC-10006	.40	10.1	.81	20.5	-	-	5000	1000
MVC-10007**	.07	1.8	1.06	27.0	.39	10.0	5000	1000
MVC-10008**	.06	1.5	1.10	27.9	.62	15.8	5000	1000
MVC-10009**	.12	3.0	1.10	27.9	.99	25.1	5000	1000
MVC-10010	.26	6.6	.81	20.5	-	-	5000	1000

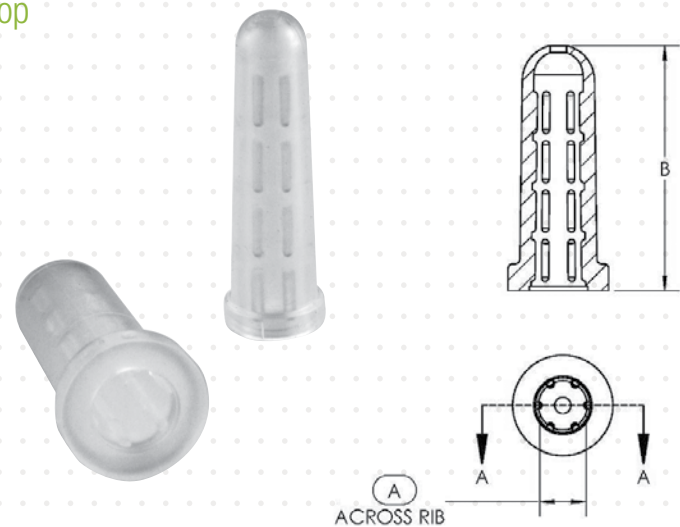
MCC Series Medical Vented Caps - Closed Top

Caplugs closed top medical vented caps (MCC) protect the delicate tips of sharp instruments during transportation, storage and handling. This series omits a top vent hole to ensure the smallest tools remain safe inside the cap. The MCC Series are offered in seven sizes. A channel design in the part walls prevents moisture from being trapped between the tip protector and the instrument. All parts are vented to ensure quick evaporation of moisture during sterilization.

- Natural color allows for full visibility of the instrument and safety of clinicians
- Vents ensure both full exposure to sterilization as well as moisture evaporation

Material: FDA-Grade Thermoplastic Elastomer

Color: Natural



Medical Vented Caps - Closed Top MCC Series

Caplugs No.	Dimensions				Packaging	
	A		B		Carton Quantity	Mini Pak Quantity
	In	mm	In	mm		
MCC-20001	.07	1.8	.78	19.8	5000	1000
MCC-20003	.11	2.8	.81	20.6	5000	1000
MCC-20004	.14	3.5	1.06	26.8	5000	1000
MCC-20005	.20	5.1	1.06	26.8	5000	1000
MCC-20006	.40	10.1	.81	20.5	5000	1000
MCC-20010	.26	6.6	.81	20.5	5000	1000
MCC-20011	.51	13.1	.81	20.5	5000	1000

SRC-MED Series Medical Silicone Caps

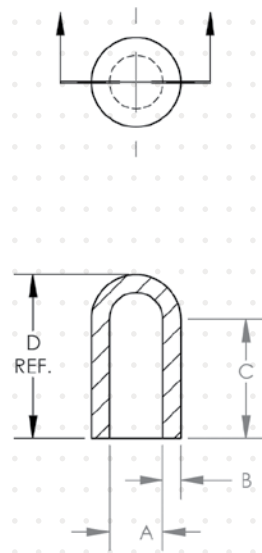
Caplugs SRC-MED Series of medical silicone caps are used to protect the ends of delicate medical instruments, tubes and other projections from piercing sterile barriers and protect staff from sharp points during handling. The full range of sizes allows protection for a variety of tip and port dimensions.

The SRC-MED Series caps are made of medical-grade silicone material and produced by Caplugs in a controlled environment to ensure cleanliness and traceability requirements are met.

- Available in 39 sizes
- Parts are double bagged before boxing and shipping
- Clear in color to allow for full visibility of the application being protected
- The silicone is 55 durometer shore A

Material: Certified USP Class VI Silicone Rubber

Color: Natural



Medical Silicone Caps SRC-MED Series

Caplugs No.	Dimensions								Packaging	
	A		B		C		D		Carton Quantity	Mini Pak Quantity
	In	mm	In	mm	In	mm	In	mm		
SRC-MED-035-4	.035	.889	.050	1.270	.250	6.350	.336	8.534	1000	-
SRC-MED-035-8	.035	.889	.050	1.270	.500	12.700	.570	14.478	1000	-
SRC-MED-040-12	.040	1.016	.050	1.270	.750	19.050	.830	21.082	1000	200
SRC-MED-070-16	.070	1.778	.060	1.524	1.000	25.400	1.120	28.448	1000	200
SRC-MED-080-12	.080	2.032	.060	1.524	.750	19.050	.860	21.844	1000	200
SRC-MED-086-12	.086	2.184	.060	1.524	.750	19.050	.850	21.590	1000	-
SRC-MED-093-12	.093	2.362	.050	1.270	.750	19.050	.860	21.844	1000	200
SRC-MED-100-16	.100	2.540	.060	1.524	1.000	25.400	1.130	28.702	1000	200
SRC-MED-109-12	.109	2.769	.060	1.524	.750	19.050	.880	22.352	1000	200
SRC-MED-125-8	.125	3.175	.060	1.524	.500	12.700	.620	15.748	1000	-
SRC-MED-125-16	.125	3.175	.060	1.524	1.000	25.400	1.140	28.956	1000	200
SRC-MED-137-16	.137	3.480	.060	1.524	1.000	25.400	1.140	28.956	1000	200
SRC-MED-140-16	.140	3.556	.060	1.524	1.000	25.400	1.140	28.956	1000	-
SRC-MED-148-16	.148	3.759	.060	1.524	1.000	25.400	1.150	29.210	1000	-
SRC-MED-156-16	.156	3.962	.060	1.524	1.000	25.400	1.150	29.210	1000	-
SRC-MED-172-16	.172	4.369	.060	1.524	1.000	25.400	1.160	29.464	1000	-
SRC-MED-187-16	.187	4.750	.060	1.524	1.000	25.400	1.170	29.718	1000	200
SRC-MED-218-16	.218	5.537	.060	1.524	1.000	25.400	1.180	29.972	1000	-
SRC-MED-223-16	.223	5.664	.060	1.524	1.000	25.400	1.200	30.480	1000	-
SRC-MED-234-16	.234	5.944	.060	1.524	1.000	25.400	1.190	30.226	1000	-
SRC-MED-250-16	.250	6.350	.060	1.524	1.000	25.400	1.210	30.734	1000	-
SRC-MED-281-16	.281	7.137	.060	1.524	1.000	25.400	1.220	30.988	1000	-
SRC-MED-295-24	.295	7.493	.060	1.524	1.500	38.100	1.720	43.688	1000	-
SRC-MED-312-16	.312	7.925	.060	1.524	1.000	25.400	1.240	31.496	1000	-
SRC-MED-343-16	.343	8.712	.060	1.524	1.000	25.400	1.240	31.496	1000	-
SRC-MED-355-24	.355	9.017	.060	1.524	1.500	38.100	1.740	44.196	1000	-
SRC-MED-375-16	.375	9.525	.060	1.524	1.000	25.400	1.260	32.004	1000	-
SRC-MED-406-16	.406	10.312	.060	1.524	1.000	25.400	1.280	32.512	1000	-
SRC-MED-437-16	.437	11.100	.060	1.524	1.000	25.400	1.300	33.020	1000	-
SRC-MED-480-24	.480	12.192	.060	1.524	1.500	38.100	1.820	46.228	1000	-
SRC-MED-500-24	.500	12.700	.060	1.524	1.500	38.100	1.830	46.482	1000	-
SRC-MED-535-20	.535	13.589	.060	1.524	1.250	31.750	1.580	40.132	1000	-
SRC-MED-562-24	.562	14.275	.060	1.524	1.500	38.100	1.860	47.244	1000	-
SRC-MED-625-24	.625	15.875	.060	1.524	1.500	38.100	1.890	48.006	1000	-
SRC-MED-750-24	.750	19.050	.060	1.524	1.500	38.100	1.950	49.530	1000	-
SRC-MED-812-24	.812	20.625	.060	1.524	1.500	38.100	1.970	50.038	1000	-
SRC-MED-970-24	.970	24.638	.060	1.524	1.500	38.100	2.050	52.070	1000	-
SRC-MED-1000-16	1.000	25.400	.060	1.524	1.000	25.400	1.560	39.624	1000	-
SRC-MED-1250-24	1.250	31.750	.060	1.524	1.500	38.100	2.190	55.63	1000	-

VVC Series Vent-A-Cap™ Vinyl Caps

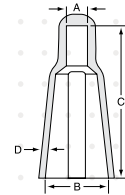
VVC Series vinyl vented caps consist of several styles of caps used to protect the ends of tubing connectors and instrument tips. Vented for air release and easy removal, these products are commonly used in a range of medical applications to keep free of contaminants and particulates. The venting allows for air flow during high pressure processes.

- Series 20, Series 22 and Series 26 are tapered to fit multiple sizes of tubing and instruments

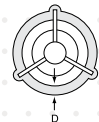
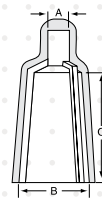
- Series 29 is offered in straight wall

Material: Vinyl **Color:** Black

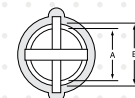
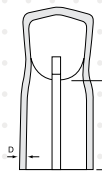
Optional Colors: White, Brown, Orange, Green, Gray, Blue, Yellow, Red



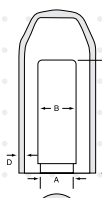
20 Series



22 Series



26 Series



29 Series

Note: VVC Series is available in standard catalog length only.

Vent-A-Cap™ Vinyl Caps VVC Series

Caplugs No.	Tube Size	Dimensions								Packaging	
		A		B		C		D		Carton Quantity	Mini Pak Quantity
		In	mm	In	mm	In	mm	In	mm		

20 Series

VVC-2071	1/4 x 1/16	.200	5.08	.425	10.80	1.600	40.64	.055	1.40	5000	1000
VVC-2072	1/4 x 3/32	.250	6.35	.500	12.70	1.600	40.64	.055	1.40	5000	1000
VVC-2073	3/8 x 1/16	.250	6.35	.525	13.34	1.600	40.64	.055	1.40	5000	1000
VVC-2074	3/8 x 3/32	.250	6.35	.610	15.49	1.600	40.64	.055	1.40	5000	1000
VVC-2075	1/2 x 1/16	.250	6.35	.650	16.51	1.600	40.64	.055	1.40	5000	1000
VVC-2076	1/2 x 3/32	.275	6.99	.735	18.67	1.600	40.64	.055	1.40	4000	800

22 Series

VVC-2220	1/8 x 1/32	.080	2.03	.190	4.83	.430	10.92	.045	1.14	10000	1000
VVC-2221	1/8 x 1/16	.156	3.96	.310	7.87	1.075	27.31	.055	1.40	5000	1000
VVC-2222	3/16 x 1/16	.156	3.96	.340	8.64	1.075	27.31	.055	1.40	5000	1000
VVC-2223	1/4 x 1/16	.200	5.08	.400	10.16	1.075	27.31	.055	1.40	5000	1000
VVC-2224	1/4 x 1/32	.240	6.10	.450	11.43	1.075	27.31	.055	1.40	5000	1000
VVC-2225	3/8 x 1/16	.250	6.35	.510	12.95	1.075	27.31	.055	1.40	5000	1000
VVC-2226	3/8 x 3/32	.250	6.35	.590	14.99	1.175	29.85	.055	1.40	4000	800
VVC-2227	1/2 x 1/16	.312	7.92	.650	16.51	1.175	29.85	.060	1.52	4000	800
VVC-2228	1/2 x 3/32	.312	7.92	.700	17.78	1.175	29.85	.060	1.52	3000	600
VVC-2229	1/2 x 1/8	.312	7.92	.750	19.05	1.175	29.85	.060	1.52	3000	600
VVC-2230	5/8 x 3/32	.330	8.38	.880	23.35	1.175	29.85	.065	1.65	3000	600

26 Series

VVC-2600	1/8 x 1/32	.160	4.06	.210	5.33	.400	10.16	.045	1.14	10000	1000
VVC-2601	1/8 x 1/16	.190	4.83	.275	6.99	.650	16.25	.055	1.40	10000	1000
VVC-2602	3/16 x 1/16	.240	6.10	.340	8.64	.650	16.25	.055	1.40	8000	1000
VVC-2603	1/4 x 1/16	.325	8.26	.400	10.16	.750	19.05	.055	1.40	5000	1000
VVC-2604	1/4 x 3/32	.375	9.53	.470	11.94	.750	19.05	.055	1.40	5000	1000
VVC-2605	3/8 x 1/16	.440	11.18	.525	13.34	.750	19.05	.055	1.40	5000	1000
VVC-2606	3/8 x 3/32	.475	12.07	.585	14.86	.750	19.05	.055	1.40	5000	1000
VVC-2607	1/2 x 1/16	.550	13.97	.650	16.51	.800	20.32	.060	1.52	3000	600
VVC-2608	1/2 x 3/32	.630	16.00	.710	18.03	.800	20.32	.060	1.52	3000	600
VVC-2609	1/2 x 1/8	.650	16.51	.775	19.69	.800	20.32	.060	1.52	3000	600
VVC-2610	5/8 x 3/32	.775	19.69	.840	21.34	.800	20.32	.060	1.52	3000	600

29 Series

VVC-2920	1/8 x 1/16	.230	5.84	.281	7.14	.700	17.78	.045	1.14	5000	1000
VVC-2922	3/16 x 1/16	.292	7.45	.343	8.71	.650	16.51	.050	1.27	5000	1000
VVC-2924	1/4 x 1/16	.355	9.02	.415	10.54	.750	19.05	.055	1.40	5000	1000
VVC-2926	1/4 x 3/32	.417	10.59	.477	12.12	.750	19.05	.055	1.40	5000	1000
VVC-2928	3/8 x 1/16	.480	12.19	.540	13.72	.850	21.59	.060	1.52	5000	1000
VVC-2930	3/8 x 3/32	.542	13.77	.602	15.29	.900	22.86	.060	1.52	5000	1000
VVC-2932	1/2 x 3/32	.667	16.94	.737	18.72	.875	22.23	.060	1.52	3000	600
VVC-2934	5/8 x 3/32	.792	20.12	.875	22.23	.875	22.23	.065	1.65	3000	600

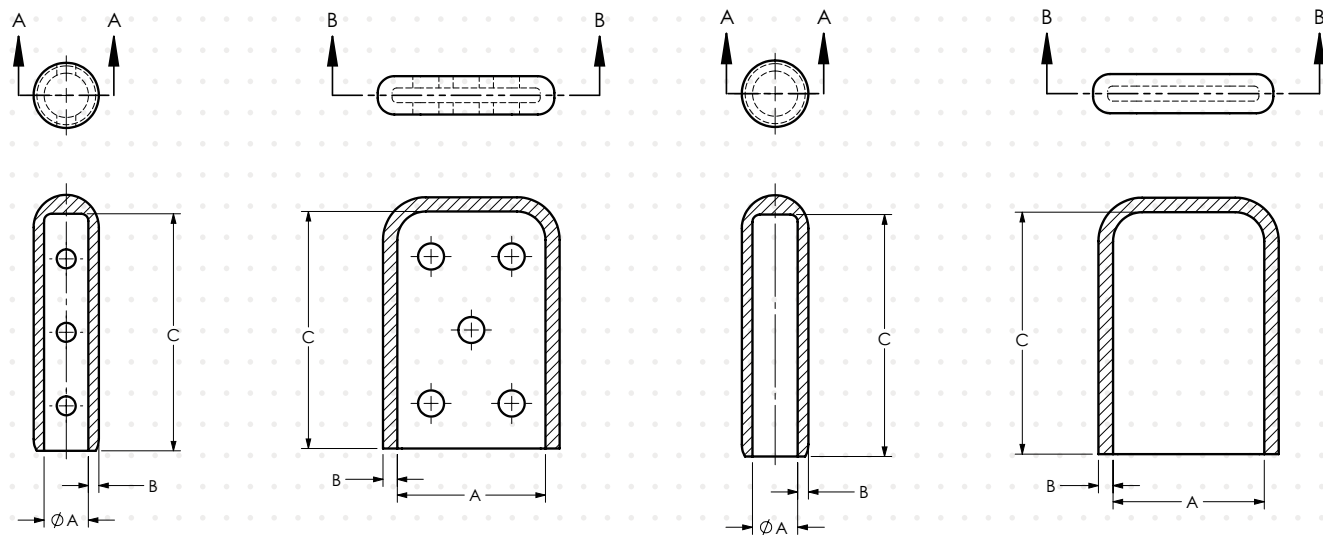
MC Series Medical Caps

Our medical caps are designed to protect valuable instruments from breaking and chipping during sterilization and handling. These protective caps help to eliminate reprocessing costs caused by torn pouches or wrap, and protect staff from sharp points during handling. Medical caps are available in size-specific colors for easy size identification and organization. Caps are available in both solid and translucent colors for easier instrument identification; clear is also available in every size.

- Caps are available vented and non-vented to meet your storage and sterilization needs
- Vinyl medical caps are made from FDA-grade material and are suitable for steam and EtO sterilization methods

Material: Non-Phthalate FDA Vinyl

Color: See chart



Medical Caps MC Series

Caplugs No.	Dimensions						Color	Packaging	
	A		B		C			Carton Quantity	Mini Pak Quantity
	In	mm	In	mm	In	mm			
NON-VENTED MC-10001 CLR	.062	1.575	.030	.762	.750	19.050	Clear	5000	1000
MC-10001 WHT	.062	1.575	.030	.762	.750	19.050	White	5000	1000
MC-10002 CLR	.080	2.032	.030	.762	.750	19.050	Clear	5000	1000
MC-10002 BLU	.080	2.032	.030	.762	.750	19.050	Blue	5000	1000
MC-10003 CLR	.109	2.769	.040	1.016	.750	19.050	Clear	5000	1000
MC-10003 GRN	.109	2.769	.040	1.016	.750	19.050	Green	5000	1000
MC-10004 CLR	.125	3.175	.050	1.270	1.000	25.400	Clear	5000	1000
MC-10004 RED	.125	3.175	.050	1.270	1.000	25.400	Red	5000	1000
MC-10005 CLR	.187	4.750	.040	1.016	1.000	25.400	Clear	5000	1000
MC-10005 YEL	.187	4.750	.040	1.016	1.000	25.400	Yellow	5000	1000
MC-10006 CLR	.406	10.312	.060	1.524	.900	22.860	Clear	5000	1000
MC-10006 MAR	.406	10.312	.060	1.524	.900	22.860	Maroon	5000	1000
MC-10007 CLR	.375	9.525	.060	1.524	1.000	25.400	Clear	5000	1000
MC-10007 ORG	.375	9.525	.060	1.524	1.000	25.400	Orange	5000	1000
MC-10008 CLR	.625	15.875	.060	1.524	1.000	25.400	Clear	5000	1000
MC-10008 BRN	.625	15.875	.060	1.524	1.000	25.400	Brown	5000	1000
MC-10009 CLR	1.000	25.400	.060	1.524	1.000	25.400	Clear	5000	1000
MC-10009 BLK	1.000	25.400	.060	1.524	1.000	25.400	Black	5000	1000
VENTED MC-20001 CLR	.062	1.575	.030	.762	.750	19.050	Clear	5000	1000
MC-20001 WHT	.062	1.575	.030	.762	.750	19.050	White	5000	1000
MC-20002 CLR	.080	2.032	.030	.762	.750	19.050	Clear	5000	1000
MC-20002 BLU	.080	2.032	.030	.762	.750	19.050	Blue	5000	1000
MC-20003 CLR	.109	2.769	.040	1.016	.750	19.050	Clear	5000	1000
MC-20003 GRN	.109	2.769	.040	1.016	.750	19.050	Green	5000	1000
MC-20004 CLR	.125	3.175	.050	1.270	1.000	25.400	Clear	5000	1000
MC-20004 RED	.125	3.175	.050	1.270	1.000	25.400	Red	5000	1000
MC-20005 CLR	.187	4.750	.040	1.016	1.000	25.400	Clear	5000	1000
MC-20005 YEL	.187	4.750	.040	1.016	1.000	25.400	Yellow	5000	1000
MC-20006 CLR	.406	10.312	.060	1.524	.900	22.860	Clear	5000	1000
MC-20006 MAR	.406	10.312	.060	1.524	.900	22.860	Maroon	5000	1000
MC-20007 CLR	.375	9.525	.060	1.524	1.000	25.400	Clear	5000	1000
MC-20007 ORG	.375	9.525	.060	1.524	1.000	25.400	Orange	5000	1000
MC-20008 CLR	.625	15.875	.060	1.524	1.000	25.400	Clear	5000	1000
MC-20008 BRN	.625	15.875	.060	1.524	1.000	25.400	Brown	5000	1000
MC-20009 CLR	1.000	25.400	.060	1.524	1.000	25.400	Clear	5000	1000
MC-20009 BLK	1.000	25.400	.060	1.524	1.000	25.400	Black	5000	1000

MCD Series Dual Medical Caps

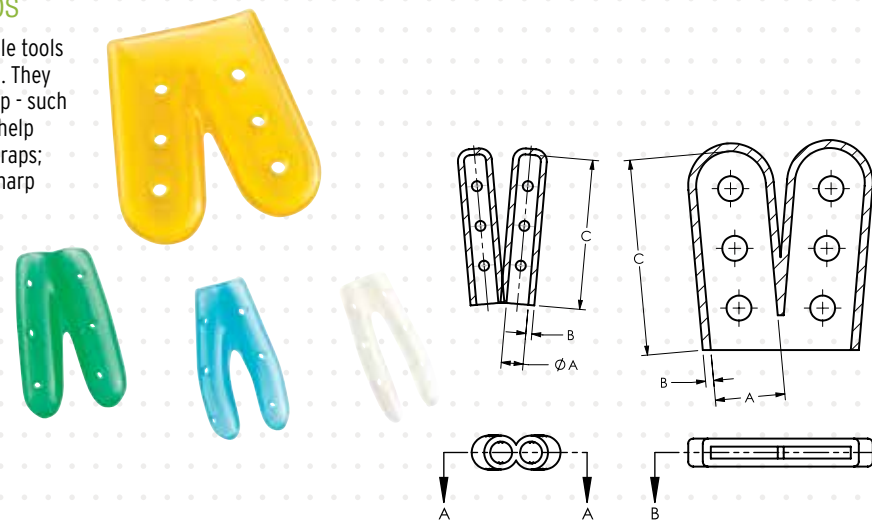
MCD Series dual medical caps are designed to protect valuable tools from breaking and chipping during sterilization and handling. They are specially designed for instruments with more than one tip - such as forceps, scissors, clamps, or dilators. The protective caps help to eliminate reprocessing costs caused by torn pouches or wraps; reduce repair or replacement costs; and protect staff from sharp points during handling.

- Available in translucent, size-specific colors for easy size identification and organization
- All parts are vented to ensure quick evaporation of moisture or gas during sterilization

Made from FDA-grade material and are suitable for steam and EtO sterilization methods

Material: Non-Phthalate FDA Vinyl

Color: Natural



Dual Medical Caps MCD Series

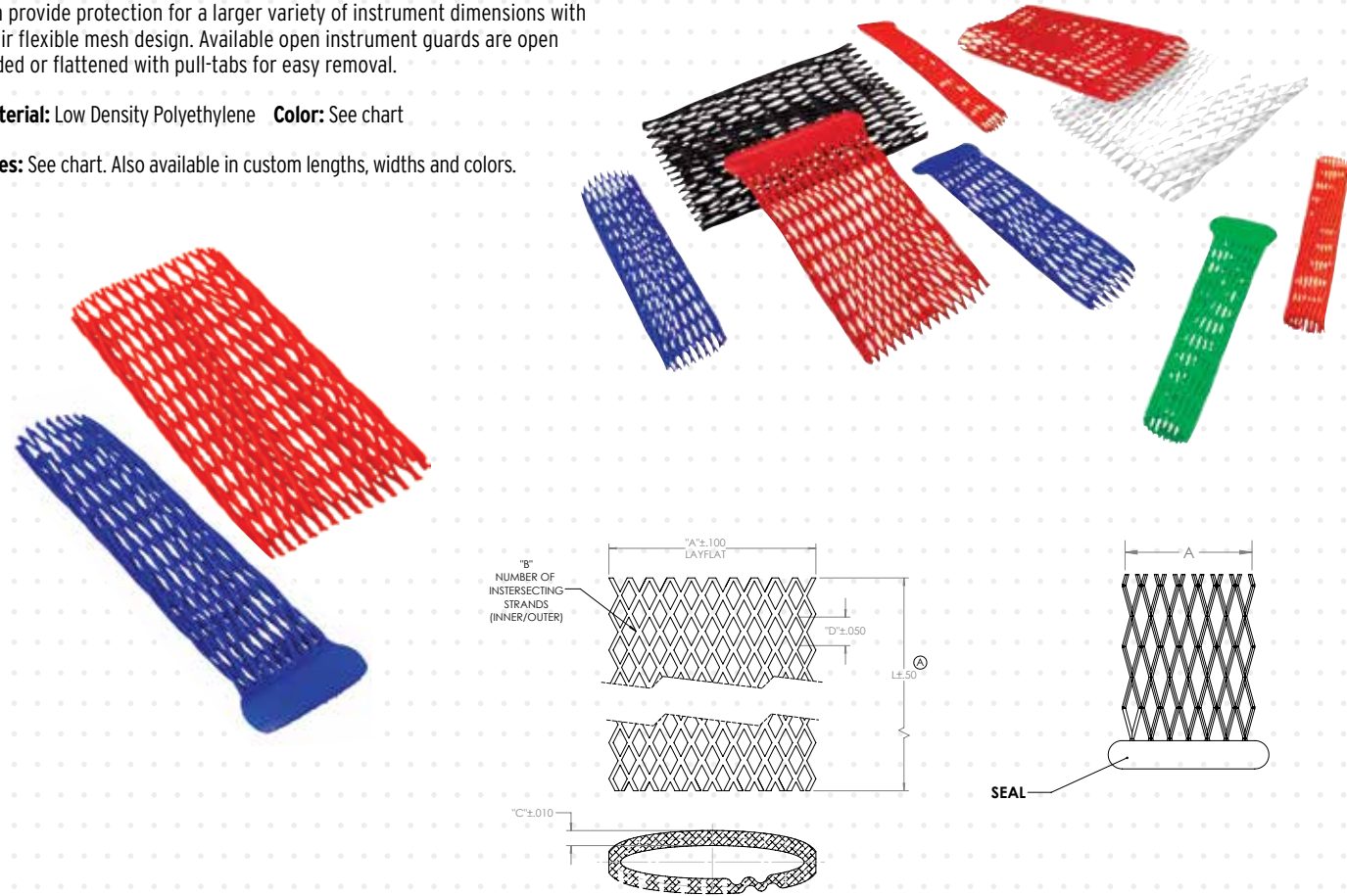
Caplugs No.	Dimensions						Color	Packaging	
	A		B		C			Carton Quantity	Mini Pak Quantity
	In	mm	In	mm	In	mm			
MCD-20001 CLR	.78	19.81	.030	.76	.75	19.05	Clear	5000	1000
MCD-20002 BLU TINT	.78	19.81	.030	.76	.75	19.05	Blue Tint	5000	1000
MCD-20003 GRN TINT	.79	19.94	.035	.89	.75	19.05	Green Tint	5000	1000
MCD-20004 RED TINT	1.04	26.42	.035	.89	1.00	25.40	Red Tint	5000	1000
MCD-20005 YEL TINT	1.04	26.42	.040	1.02	1.00	25.40	Yellow Tint	5000	1000
MCD-20006 ORG TINT	1.04	26.42	.040	1.02	1.00	25.40	Orange Tint	5000	1000

CSWF & CSWF-C Series Sleeve-Web® Instrument Guards

Caplugs' Sleeve-Web instrument guards provide flexible protection for a variety of medical tools and instruments during the manufacturing process, storage, transport and final sterilization. Sleeve-Web style guards can provide protection for a larger variety of instrument dimensions with their flexible mesh design. Available open instrument guards are open ended or flattened with pull-tabs for easy removal.

Material: Low Density Polyethylene **Color:** See chart

Sizes: See chart. Also available in custom lengths, widths and colors.



Sleeve-Web® Instrument Guards CSWF & CSWF-C Series

Caplugs No.	Dimensions				Color	End	Carton Quantity	Mini Pak Quantity
	A Width		L Length					
	In	mm	In	mm				
CSWF-10MM-76MM	.394	10	2.992	76	Orange	Open	1200	240
CSWF-15MM-76MM	.591	15	2.992	76	Green	Open	1200	240
CSWF-20MM-76MM	.787	20	2.992	76	Blue	Open	1200	240
CSWF-40MM-76MM	1.575	40	2.992	76	Red	Open	1200	240
CSWF-60MM-76MM	2.362	60	2.992	76	Black	Open	1200	240
CSWF-70MM-76MM	2.756	70	2.992	76	White	Open	1200	240

Caplugs No.	Dimensions				Color	End	Carton Quantity	Mini Pak Quantity
	A Width		L Length					
	In	mm	In	mm				
CSWF-C-10MM-76MM	.394	10	2.992	76	Orange	Flat Closed	1200	240
CSWF-C-15MM-76MM	.591	15	2.992	76	Green	Flat Closed	1200	240
CSWF-C-20MM-76MM	.787	20	2.992	76	Blue	Flat Closed	1200	240
CSWF-C-40MM-76MM	1.575	40	2.992	76	Red	Flat Closed	1200	240



Medical Packaging

Caplugs offers a range of packaging solutions that are designed to secure medical instruments and protect end users from harm. Made from medical-grade materials, these components are designed to withstand high temperatures and tough sterilization environments.

TRC Series Standard Wall Closed-End Tubing

TRC Series ClearView® plastic tubing features a clear closed end and is available in a variety of lengths to meet your needs. Choose the TRC Series for instruments, orthopaedic implants, surgical tools, vials and other medical packaging needs.

• Variety of caps and plugs available

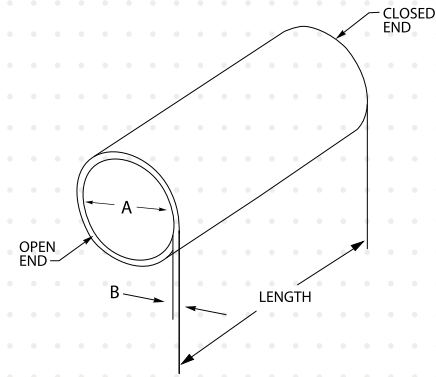
Material: PETG **Color:** Natural

When purchasing:

Note: "A" dimension is the inside diameter

Note: Cut to desired length up to 18"


Note: Samples are available in 6" lengths only



Caplugs No.	Dimensions				Packaging Carton Quantity
	A		B		
	In	mm	In	mm	
TRC-500-012	.548	13.92	.012	.30	Call Customer Service
TRC-625-014	.714	18.14	.014	.36	Call Customer Service
TRC-750-015	.808	20.52	.015	.38	Call Customer Service
TRC-875-017	.942	23.93	.017	.43	Call Customer Service
TRC-937-017	1.026	26.06	.017	.43	Call Customer Service
TRC-1000-017	1.097	27.86	.017	.43	Call Customer Service
TRC-1125-018	1.211	30.76	.018	.46	Call Customer Service
TRC-1187-018	1.273	32.59	.018	.46	Call Customer Service
TRC-1250-018	1.363	34.62	.018	.46	Call Customer Service
TRC-1375-018	1.438	36.53	.018	.46	Call Customer Service
TRC-1500-018	1.644	41.76	.018	.46	Call Customer Service
TRC-1625-020	1.710	43.43	.020	.51	Call Customer Service
TRC-1750-020	1.820	46.23	.020	.51	Call Customer Service
TRC-1875-020	1.960	49.78	.020	.51	Call Customer Service
TRC-2000-020	2.070	52.58	.020	.51	Call Customer Service
TRC-2250-020	2.320	58.93	.020	.51	Call Customer Service
TRC-2500-020	2.570	65.28	.020	.51	Call Customer Service
TRC-2625-020	2.710	68.83	.020	.51	Call Customer Service
TRC-2750-020	2.790	70.87	.020	.51	Call Customer Service
TRC-3000-025	3.085	78.36	.025	.64	Call Customer Service
TRC-3500-025	3.570	90.68	.025	.64	Call Customer Service

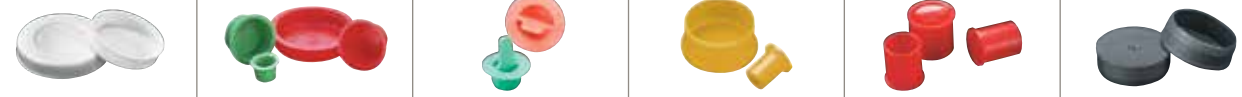
Standard Wall Closed-End Tubing TRC Series

Caps for ClearView® Standard Wall Tubes



Tube Size	VC Style Cap	VHC Style Cap	VHR Style Cap	VSE Style Cap	EC Style Cap	EP Style Cap	RC Style Cap	SC Style Cap
TRC 500	VC 562	VHC 531	None	VSE 531	EC 9	None	None	SC 9/16
TRC 625	VC 750	None	VHR 750	VSE 750	EC 12	None	RC 12	SC 3/4
TRC 750	VC 812	VHC 812	VHR 875	VSE 796	EC 14	None	None	SC 7/8
TRC 875	VC 937	None	None	VSE 937	EC 16	None	RC 16	SC 1
TRC 937	VC 1062	VHC 1062	None	VSE 1062	None	None	None	SC 11/16
TRC 1000	VC 1125	VHC 1062	None	VSE 1125	None	None	None	SC 11/8
TRC 1125	VC 1250	None	None	None	EC 20	None	None	SC 11/4
TRC 1187	VC-1250	None	None	None	None	None	None	SC 15/16
TRC 1250	VC 1375	VHC 1375	None	VSE 1313	None	EP 24	None	None
TRC 1375	VC 1437	VHC 1437	None	None	EC 24	None	None	SC 11/2
TRC 1500	VC 1625	VHC 1625	None	VSE 1625	None	None	RC 27	None
TRC 1625	VC 1687	None	None	None	None	None	None	None
TRC 1750	VC 1875	None	None	None	None	EP 32	RC 30	SC 17/8
TRC 1875	VC 2000	VHC 2000	None	None	None	None	None	None
TRC 2000	VC 2125	None	None	VSE 2125	None	EP 36	None	None
TRC 2250	VC 2375	None	None	None	None	EP 40	None	SC 2 3/8
TRC 2500	VC 2625	None	None	None	None	None	None	SC 2 5/8, 1622
TRC 2625	VC 2750	None	None	None	None	None	None	SC 2 3/4
TRC 2750	VC 2875	None	None	None	None	None	None	None
TRC 3000	VC 3125	None	None	None	None	None	None	None
TRC 3500	VC 3625	None	None	None	None	None	None	SC 3 5/8

Plugs for ClearView® Standard Wall Tubes



Tube Size	STP Style Plug	T Style Plug	EC Style Plug	EP Style Plug	RC Style Plug	TE Style Plug
TRC 500	None	T 5S or T 5X	EC 8	None	None	TE 500
TRC 625	None	T 8X	None	EP 12	None	TE 625
TRC 750	None	T 10	None	None	RC 12	TE 750
TRC 875	None	T 12	None	None	None	TE 875
TRC 937	None	T 13A	None	None	None	TE 937
TRC 1000	None	T 13X	None	EP 18	None	TE 1000
TRC 1125	None	T 14	None	None	None	TE 1125
TRC 1187	None	T 14X	None	None	None	TE 1187-HNG
TRC 1250	None	T 16A	None	None	None	TE 1250
TRC 1375	None	T 17A, T 16S	EC 22	None	None	TE 1375
TRC 1500	None	T 18	None	None	None	TE 1500
TRC 1625	None	T 18X	None	EP 28	None	TE 1625
TRC 1750	None	T 19	None	None	None	TE 1750
TRC 1875	None	T 210	None	EP 32	None	TE 1875
TRC 2000	None	T 220	None	None	None	TE 2000
TRC 2250	None	T 25A	None	None	None	TE 2250
TRC 2500	None	T 250	None	None	None	TE 2500
TRC 2625	None	T 44	None	None	None	TE 2625
TRC 2750	STP 2 3/4	None	None	None	None	TE 2750
TRC 3000	None	None	None	None	None	TE 3000
TRC 3500	None	T 1050	None	None	None	TE 3500

TRC Series Heavy Wall Closed-End Tubing

TRC Series ClearView® plastic tubing can be specified with a heavy wall for durability and extra protection for glass vials, orthopaedic implants, surgical tools and instruments. Designed with a clear closed end, this part is available in a variety of lengths to meet your packaging needs.

• Variety of caps and plugs for top available

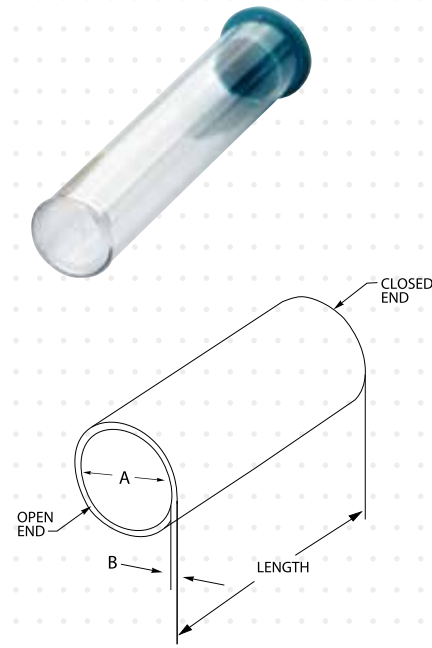
Material: PETG **Color:** Natural

When purchasing:

Note: "A" dimension is the inside diameter

Note: Cut to desired length up to 18"


Note: Samples are available in 6" lengths only



Caplugs No.	Dimensions				Packaging Carton Quantity
	A		B		
	In	mm	In	mm	
TRC-500-022	.528	13.41	.022	.56	Call Customer Service
TRC-625-022	.698	17.73	.022	.56	Call Customer Service
TRC-750-022	.794	20.17	.022	.56	Call Customer Service
TRC-875-022	.932	23.67	.022	.56	Call Customer Service
TRC-937-022	1.016	25.81	.022	.56	Call Customer Service
TRC-1000-022	1.087	27.61	.022	.56	Call Customer Service
TRC-1125-022	1.203	30.56	.022	.56	Call Customer Service
TRC-1187-022	1.273	32.33	.025	.64	Call Customer Service
TRC-1250-022	1.355	34.42	.022	.56	Call Customer Service
TRC-1375-022	1.430	36.32	.022	.56	Call Customer Service
TRC-1500-022	1.636	41.55	.022	.56	Call Customer Service
TRC-1625-028	1.694	43.03	.028	.71	Call Customer Service
TRC-1750-028	1.804	45.82	.028	.71	Call Customer Service
TRC-1875-025	1.950	49.53	.025	.64	Call Customer Service
TRC-2000-028	2.054	52.17	.028	.71	Call Customer Service
TRC-2250-028	2.304	58.52	.028	.71	Call Customer Service
TRC-2500-028	2.554	64.87	.028	.71	Call Customer Service
TRC-2625-030	2.690	68.33	.030	.76	Call Customer Service
TRC-2750-028	2.774	70.46	.028	.71	Call Customer Service
TRC-3000-032	3.071	78.00	.032	.81	Call Customer Service
TRC-3500-032	3.556	90.32	.032	.81	Call Customer Service


Heavy Wall Closed-End Tubing TRC Series

Caps for ClearView® Heavy Wall Tubes



Tube Size	VC Style Cap	VHC Style Cap	VSE Style Cap	EC Style Cap	EP Style Cap	RC Style Cap	SC Style Cap
TRC 500	VC 562	VHC 531	VSE 531	EC 9	None	None	SC 9/16
TRC 625	VC 750	VHR 750	VSE 750	EC 12	None	RC 12	SC 3/4
TRC 750	VC 812	VHC 812/VHR 875	VSE 796	EC 14	None	None	SC 7/8
TRC 875	VC 937	None	VSE 937	EC 16	None	RC 16	SC 1
TRC 937	VC 1062	VHC 1062	VSE 1062	None	None	None	SC 11/6
TRC 1000	VC 1125	VHC 1062	VSE 1125	None	None	None	SC 11/8
TRC 1125	VC 1250	None	None	EC 20	None	None	SC 11/4
TRC 1187	VC 1250	None	None	None	None	None	SC 15/16-12
TRC 1250	VC 1375	VHC 1375	VSE 1313	None	EP 24	None	None
TRC 1375	VC 1437	VHC 1437	None	EC 24	None	None	SC 11/2
TRC 1500	VC 1625	VHC 1625	VSE 1625	None	None	RC 27	SC 13/4
TRC 1625	VC 1687	None	None	None	None	None	None
TRC 1750	VC 1875	None	None	None	EP 32	RC 30	SC 17/8
TRC 1875	VC 2000	VHC 2000	None	None	None	None	None
TRC 2000	VC 2125	None	VSE 2125	None	EP 36	None	None
TRC 2250	VC 2375	None	None	None	EP 40	None	SC 2 3/8
TRC 2500	VC 2625	None	None	None	None	None	SC 2 5/8, 1622
TRC 2625	VC 2750	None	None	None	None	None	SC 2 3/4
TRC 2750	VC 2875	None	None	None	None	None	None
TRC 3000	VC 3125	None	None	None	None	None	None
TRC 3500	VC 3625	None	None	None	None	None	SC 3 5/8

Plugs for ClearView® Heavy Wall Tubes



Tube Size	STP Style Plug	T Style Plug	EC Style Plug	EP Style Plug	RC Style Plug	TE Style Plug
TRC 500	None	T 5	None	None	None	TE 500
TRC 625	None	T 8	None	None	None	TE 625
TRC 750	None	T 9X	None	None	None	TE 750
TRC 875	None	T 12	None	None	RC 14-12	TE 875
TRC 937	None	T 12X	EC 16	None	None	TE 937
TRC 1000	None	T 13X	None	EP 18	None	TE 1000
TRC 1125	None	T 14	B 8210	None	None	TE 1125
TRC 1187	None	T 14X	None	None	None	TE 1187-HNG
TRC 1250	None	T 15X	None	EP 22	RC 21	TE 1250
TRC 1375	None	T 16	EC 22	None	None	TE 1375
TRC 1500	None	T 18	None	None	None	TE 1500
TRC 1625	None	T 18X (tight)	EC 26	None	RC 26	TE 1625
TRC 1750	None	T 19 (tight)	EC 28	None	None	TE 1750
TRC 1875	None	T 210	None	EP 32	RC 30	TE 1875
TRC 2000	None	T 21 or T 220	None	None	None	TE 2000
TRC 2250	None	T 25A (tight)	EC 36	None	None	TE 2250
TRC 2500	STP 2 1/2	T 250	EC 40	None	RC 40	TE 2500
TRC 2625	None	T 43A	None	None	None	TE 2625
TRC 2750	STP 2 3/4	T 44	None	None	None	TE 2750
TRC 3000	None	T 53	CEC 48	None	None	TE 3000
TRC 3500	None	T 1050	None	None	None	TE 3500

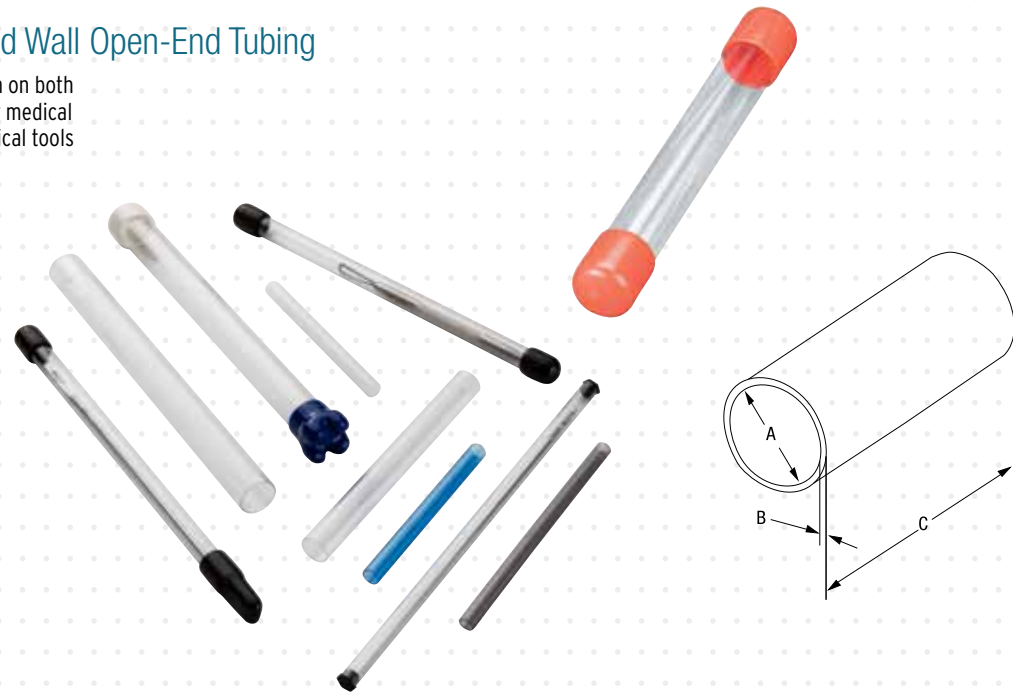
TRO Series Standard Wall Open-End Tubing

TRO Series ClearView® plastic tubing is open on both ends and designed to meet a variety of your medical packaging needs including instruments, surgical tools and implants.

- Variety of caps and plugs available
- Available in custom diameters and lengths

Material: PETG **Color:** Natural


Note: Samples are available only in 6" lengths
Note: "A" dimension is the inside diameter



Caplugs No.	Dimensions						Packaging Carton Quantity
	A		B		C		
	In	mm	In	mm	In	mm	
TRO-187-012-48.000	.210	5.33	.012	.30	48.00	1219.20	900
TRO-250-012-48.000	.299	7.59	.012	.30	48.00	1219.20	500
TRO-375-012-48.000	.421	10.69	.012	.30	48.00	1219.20	500
TRO-448-012-48.000	.460	11.68	.012	.30	48.00	1219.20	250
TRO-500-012-48.000	.548	13.92	.012	.30	48.00	1219.20	300
TRO-625-014-48.000	.714	18.14	.014	.36	48.00	1219.20	180
TRO-750-015-48.000	.808	20.52	.015	.38	48.00	1219.20	200
TRO-875-017-48.000	.942	23.93	.017	.43	48.00	1219.20	100
TRO-937-017-48.000	1.026	26.06	.017	.43	48.00	1219.20	324
TRO-1000-017-48.000	1.097	27.86	.017	.43	48.00	1219.20	100
TRO-1125-018-48.000	1.211	30.76	.018	.46	48.00	1219.20	120
TRO-1187-020-48.000	1.283	32.59	.020	.51	48.00	1219.20	120
TRO-1250-018-48.000	1.363	34.62	.018	.46	48.00	1219.20	90
TRO-1375-018-48.000	1.438	36.53	.018	.46	48.00	1219.20	90
TRO-1500-018-48.000	1.644	41.76	.018	.46	48.00	1219.20	90
TRO-1625-020-48.000	1.710	43.43	.020	.51	48.00	1219.20	80
TRO-1750-020-48.000	1.820	46.23	.020	.51	48.00	1219.20	70
TRO-1875-020-48.000	1.960	49.78	.020	.51	48.00	1219.20	70
TRO-2000-020-48.000	2.070	52.58	.020	.51	48.00	1219.20	60
TRO-2250-020-48.000	2.320	58.93	.020	.51	48.00	1219.20	60
TRO-2500-020-48.000	2.570	65.28	.020	.51	48.00	1219.20	50
TRO-2625-020-48.000	2.710	68.83	.020	.51	48.00	1219.20	50
TRO-2750-020-48.000	2.790	70.87	.020	.51	48.00	1219.20	21
TRO-3000-025-48.000	3.085	78.36	.025	.64	48.00	1219.20	36
TRO-3500-025-48.000	3.570	90.68	.025	.64	48.00	1219.20	15


Standard Wall Open-End Tubing TRO Series

Caps for ClearView® Standard Wall Tubes



Tube Size	VC Style Cap	VHC Style Cap	VHR Style Cap	VSE Style Cap	EC Style Cap	EP Style Cap	RC Style Cap	SC Style Cap
TRO 187	VC 234	None	None	None	None	None	None	None
TRO 250	VC 312	None	None	VSE 312	EVC-312-650	None	None	None
TRO 375	VC 437	None	None	VSE 406	None	None	None	SC 7/16-8 (tight)
TRO 448	VC-485	None	None	None	EC-8	None	RC-8	None
TRO 500	VC 562	VHC 531	None	VSE 531	EC 9	None	None	SC 9/16
TRO 625	VC 750	None	VHR 750	VSE 750	EC 12	None	RC 12	SC 3/4
TRO 750	VC 812	VHC 812	VHR 875	VSE 796	EC 14	None	None	SC 7/8
TRO 875	VC 937	None	None	VSE 937	EC 16	None	RC 16	SC 1
TRO 937	VC 1062	VHC 1062	None	VSE 1062	None	None	None	SC 11/16
TRO 1000	VC 1125	VHC 1062	None	VSE 1125	None	None	None	SC 11/8
TRO 1125	VC 1250	None	None	None	EC 20	None	None	SC 11/4
TRO 1187	VC-1250	None	None	None	None	None	None	SC 15/16
TRO 1250	VC 1375	VHC 1375	None	VSE 1313	None	EP 24	None	None
TRO 1375	VC 1437	VHC 1437	None	None	EC 24	None	None	SC 11/2
TRO 1500	VC 1625	VHC 1625	None	VSE 1625	None	None	RC 27	None
TRO 1625	VC 1687	None	None	None	None	None	None	None
TRO 1750	VC 1875	None	None	None	None	EP 32	RC 30	SC 17/8
TRO 1875	VC 2000	VHC 2000	None	None	None	None	None	None
TRO 2000	VC 2125	None	None	VSE 2125	None	EP 36	None	None
TRO 2250	VC 2375	None	None	None	None	EP 40	None	SC 2 3/8
TRO 2500	VC 2625	None	None	None	None	None	None	SC 2 5/8, 1622
TRO 2625	VC 2750	None	None	None	None	None	None	SC 2 3/4
TRO 2750	VC 2875	None	None	None	None	None	None	None
TRO 3000	VC 3125	None	None	None	None	None	None	STP 3 1/4 as cap
TRO 3500	VC 3625	None	None	None	None	None	None	SC 3 5/8

Plugs for ClearView® Standard Wall Tubes



Tube Size	STP Style Plug	T Style Plug	EC Style Plug	EP Style Plug	RC Style Plug	TE Style Plug
TRO 187	None	T 0	None	None	None	None
TRO 250	None	T1X	EC 4 (tight)	None	None	None
TRO 375	None	T 3	None	None	None	None
TRO 448	None	T4	None	None	None	None
TRO 500	None	T 5S or T 5X	EC 8	None	None	TE 500
TRO 625	None	T 8X	None	EP 12	None	TE 625
TRO 750	None	T 10	None	None	RC 12	TE 750
TRO 875	None	T 12	None	None	None	TE 875
TRO 937	None	T 13A	None	None	None	TE 937
TRO 1000	None	T 13X	None	EP 18	None	TE 1000
TRO 1125	None	T 14	None	None	None	TE 1125
TRO 1187	None	T 14X	None	None	None	TE 1187-HNG
TRO 1250	None	T 16A	None	None	None	TE 1250
TRO 1375	None	T 17A, T 16S	EC 22	None	None	TE 1375
TRO 1500	B 8798	T 18	None	None	None	TE 1500
TRO 1625	None	T 18X	None	EP 28	None	TE 1625
TRO 1750	B 8313	T 19	None	None	None	TE 1750
TRO 1875	None	T 210	None	EP 32	None	TE 1875
TRO 2000	None	T 220	None	None	None	TE 2000
TRO 2250	None	T 25A	None	None	None	TE 2250
TRO 2500	None	T 250	None	None	None	TE 2500
TRO 2625	None	T 44	None	None	None	TE 2625
TRO 2750	STP 2 3/4	None	None	None	None	TE 2750
TRO 3000	None	None	None	None	None	TE 3000
TRO 3500	None	T 1050	None	None	None	TE 3500

TRO Series Heavy Wall Open-End Tubing

TRO Series ClearView® plastic tubing with heavy wall thickness adds extra protection and durability. Surgical tools and implants, plus other medical devices can be accommodated by the variety of tube sizes and closure options.

- Variety of caps and plugs available
- Available in custom diameters and lengths

Material: PETG **Color:** Natural

Note: Samples are available only in 6" lengths
Note: "A" dimension is the inside diameter



Capplugs No.	Dimensions						Packaging Carton Quantity
	A		B		C		
	In	mm	In	mm	In	mm	
TRO-187-020-48.000	.194	4.93	.020	.51	48.00	1219.20	600
TRO-250-022-48.000	.279	7.09	.022	.56	48.00	1219.20	400
TRO-375-022-48.000	.401	10.19	.022	.56	48.00	1219.20	250
TRO-448-022-48.000	.440	11.18	.022	.56	48.00	1219.20	250
TRO-500-022-48.000	.528	13.41	.022	.56	48.00	1219.20	200
TRO-625-022-48.000	.698	17.73	.022	.56	48.00	1219.20	150
TRO-750-022-48.000	.794	20.17	.022	.56	48.00	1219.20	140
TRO-875-022-48.000	.932	23.67	.022	.56	48.00	1219.20	100
TRO-937-022-48.000	1.016	25.81	.022	.56	48.00	1219.20	324
TRO-1000-022-48.000	1.087	27.61	.022	.56	48.00	1219.20	100
TRO-1125-022-48.000	1.203	30.56	.022	.56	48.00	1219.20	100
TRO-1187-025-48.000	1.273	32.33	.025	.64	48.00	1219.20	120
TRO-1250-022-48.000	1.355	34.42	.022	.56	48.00	1219.20	90
TRO-1375-022-48.000	1.430	36.32	.022	.56	48.00	1219.20	80
TRO-1500-022-48.000	1.636	41.55	.022	.56	48.00	1219.20	60
TRO-1625-028-48.000	1.694	43.03	.028	.71	48.00	1219.20	50
TRO-1750-028-48.000	1.804	45.82	.028	.71	48.00	1219.20	50
TRO-1875-025-48.000	1.950	49.53	.025	.64	48.00	1219.20	50
TRO-2000-028-48.000	2.054	52.17	.028	.71	48.00	1219.20	40
TRO-2250-028-48.000	2.304	58.52	.028	.71	48.00	1219.20	30
TRO-2500-028-48.000	2.554	64.87	.028	.71	48.00	1219.20	30
TRO-2610-030-48.000	2.610	66.29	.030	.76	48.00	1219.20	28
TRO-2625-030-48.000	2.690	68.33	.030	.76	48.00	1219.20	28
TRO-2670-030-48.000	2.670	67.82	.030	.76	48.00	1219.20	28
TRO-2730-030-48.000	2.730	69.34	.030	.76	48.00	1219.20	28
TRO-2750-028-48.000	2.774	70.46	.028	.71	48.00	1219.20	21
TRO-3000-032-48.000	3.071	78.00	.032	.81	48.00	1219.20	36
TRO-3500-032-48.000	3.556	90.32	.032	.81	48.00	1219.20	15
TRO-3580-030-48.000	3.580	90.93	.030	.76	48.00	1219.20	15
TRO-3640-030-48.000	3.640	92.46	.030	.76	48.00	1219.20	15
TRO-3700-030-48.000	3.700	93.98	.030	.76	48.00	1219.20	15

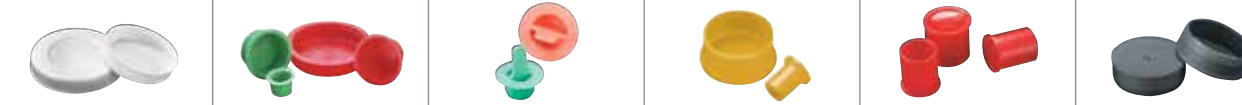
Heavy Wall Open-End Tubing TRO Series

Caps for ClearView® Heavy Wall Tubes



Tube Size	VC Style Cap	VHC Style Cap	VHR Style Cap	VSE Style Cap	EC Style Cap	EP Style Cap	RC Style Cap	SC Style Cap
TRO 187	VC 234	None	None	None	None	None	None	None
TRO 250	VC 312	None	None	VSE 312	EVC-312-650	None	None	None
TRO 375	VC 437	None	None	VSE 406	EVC-437-750	None	None	SC 7/16-8 (tight)
TRO 448	VC-485	None	None	None	EC-8	None	RC-8	None
TRO 500	VC 562	VHC 531	None	VSE 531	EC 9, EVC-562-900	None	None	SC 9/16
TRO 625	VC 750	None	VHR 750	VSE 750	EC 12	None	RC 12	SC 3/4
TRO 750	VC 812	VHC 812	VHR 875	VSE 796	EC 14	None	None	SC 7/8
TRO 875	VC 937	None	None	VSE 937	EC 16	None	RC 16	SC 1
TRO 937	VC 1062	VHC 1062	None	VSE 1062	None	None	None	SC 11/6
TRO 1000	VC 1125	VHC 1062	None	VSE 1125	None	None	None	SC 11/8
TRO 1125	VC 1250	None	None	None	EC 20	None	None	SC 11/4
TRO 1187	VC 1250	None	None	None	None	None	None	SC 15/16-12
TRO 1250	VC 1375	VHC 1375	None	VSE 1313	None	EP 24	None	None
TRO 1375	VC 1437	VHC 1437	None	None	EC 24	None	None	SC 11/2
TRO 1500	VC 1625	VHC 1625	None	VSE 1625	None	None	RC 27	SC 13/4
TRO 1625	VC 1687	None	None	None	None	None	None	None
TRO 1750	VC 1875	None	None	None	None	EP 32	RC 30	SC 17/8
TRO 1875	VC 2000	VHC 2000	None	None	None	None	None	None
TRO 2000	VC 2125	None	None	VSE 2125	None	EP 36	None	None
TRO 2250	VC 2375	None	None	None	None	EP 40	None	SC 2 3/8
TRO 2500	VC 2625	None	None	None	None	None	None	SC 2 5/8, 1622
TRO 2625	VC 2750	None	None	None	None	None	None	SC 2 3/4
TRO 2750	VC 2875	None	None	None	None	None	None	None
TRO 3000	VC 3125	None	None	None	None	None	None	STP 3 1/4 as cap
TRO 3500	VC 3625	None	None	None	None	None	None	SC 3 5/8

Plugs for ClearView® Heavy Wall Tubes



Tube Size	STP Style Plug	T Style Plug	EC Style Plug	EP Style Plug	RC Style Plug	TE Style Plug
TRO 187	None	T 00X	K 4	None	None	None
TRO 250	None	T 1	None	None	None	None
TRO 375	None	T 3	None	None	None	None
TRO 448	None	T-3X	PN-2	EZP-152	None	None
TRO 500	None	T 5	None	None	None	TE 500
TRO 625	None	T 8	None	None	None	TE 625
TRO 750	None	T 9X	None	None	None	TE 750
TRO 875	None	T 12	None	None	RC 14-12	TE 875
TRO 937	None	T 12X	None	EC 16	None	TE 937
TRO 1000	None	T 13X	None	EP 18	None	TE 1000
TRO 1125	None	T 14	B 8210	None	None	TE 1125
TRO 1187	None	T 14X	None	None	None	TE 1187-HNG
TRO 1250	None	T 15X	None	EP 22	RC 21	TE 1250
TRO 1375	None	T 16	EC 22	None	None	TE 1375
TRO 1500	B 8798	T 18	None	None	None	TE 1500
TRO 1625	None	T 18X (tight)	EC 26	None	RC 26	TE 1625
TRO 1750	B 8313	T 19 (tight)	EC 28	None	None	TE 1750
TRO 1875	None	T 210	None	EP 32	RC 30	TE 1875
TRO 2000	None	T 21 or T 220	None	None	None	TE 2000
TRO 2250	None	T 25A (tight)	EC 36	None	None	TE 2250
TRO 2500	STP 2 1/2	T 250	EC 40	None	RC 40	TE 2500
TRO 2625	None	T 43A	None	None	None	TE 2625
TRO 2750	STP 2 3/4	T 44	None	None	None	TE 2750
TRO 3000	None	T 53	CEC 48	None	None	TE 3000
TRO 3500	None	T 1050	None	None	None	TE 3500

TSC Series Square Closed-End Tubing

TSC Series ClearView® square plastic tubing offers unique packaging and glass-like clarity. These closed-ended tubes make an ideal package for a wide variety of products.

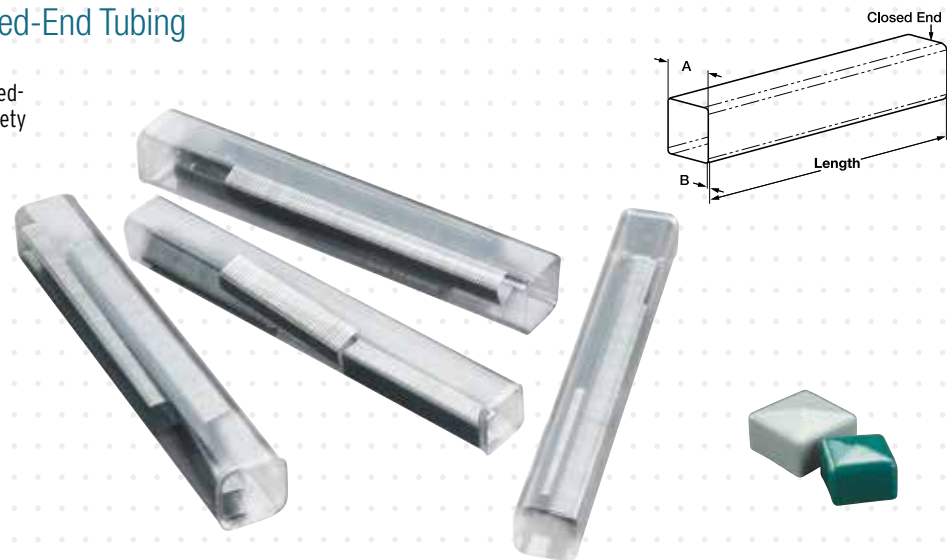
- No side seams
- Clear bottom is sonic welded for a secure seal
- Attractive, reusable packaging solution

Material: PETG **Color:** Natural

Note: Samples are available only in 6" lengths

Note: "A" dimension is the inside diameter

Note: Cut to desired length when purchased



Square Closed-End Tubing TSC Series

Caplugs No.	Dimensions				Packaging	
	A		B		Carton Quantity	
	In	mm	In	mm		
TSC-750-014	.722	18.34	.014	.36	Call Customer Service	
TSC-875-016	.843	21.41	.016	.41	Call Customer Service	

Caps and Plugs for ClearView® Square Tubes

Tube Size	Wall Thickness	Cap(s) to Fit	Plug(s) to Fit
TSC-750	.01	VSC-750	TSE-750
TSC-875	.01	VSC-875	TSE-875

TSO Series Square Open End-Tubing

TSO Series ClearView® plastic tubing offers unique packaging and glass-like clarity. These open-ended tubes make an ideal package for a wide variety of products.

- No side seams
- Open at both ends
- Attractive, reusable packaging solution

Material: PETG **Color:** Natural

Note: Samples are available only in 6" lengths

Note: "A" dimension is the inside diameter

Note: Cut to desired length when purchased



Square Open End-Tubing TSO Series

Caplugs No.	Dimensions				Packaging	
	A		B		Carton Quantity	
	In	mm	In	mm		
TSO-375-012	.375	9.53	0.12	.30	Call Customer Service	
TSO-500-012	.500	12.70	.012	.30	Call Customer Service	
TSO-750-014	.722	18.34	.014	.36	Call Customer Service	
TSO-875-016	.843	21.41	.016	.41	Call Customer Service	
TSO-1000-015	1.000	25.40	.015	.38	Call Customer Service	
TSO-1250-020	1.210	30.73	.020	.51	Call Customer Service	
TSO-1375-015	1.345	34.16	.015	.38	Call Customer Service	

Caps and Plugs for ClearView® Square Tubes

Tube Size	Wall Thickness	Cap(s) to Fit	Plug(s) to Fit
TSO-375	.01	VSC-375	None
TSO-500	.01	VSC-500	None
TSO-750	.01	VSC-750	TSE-750
TSO-875	.01	VSC-875	TSE-875
TSO-1000	.01	VSC-100, FP-204	None
TSO-1250	.02	VSC-1250, FP-245	None
TSO-1375	.01	None	SQR-11/2-10-14, FP-244 (tight)

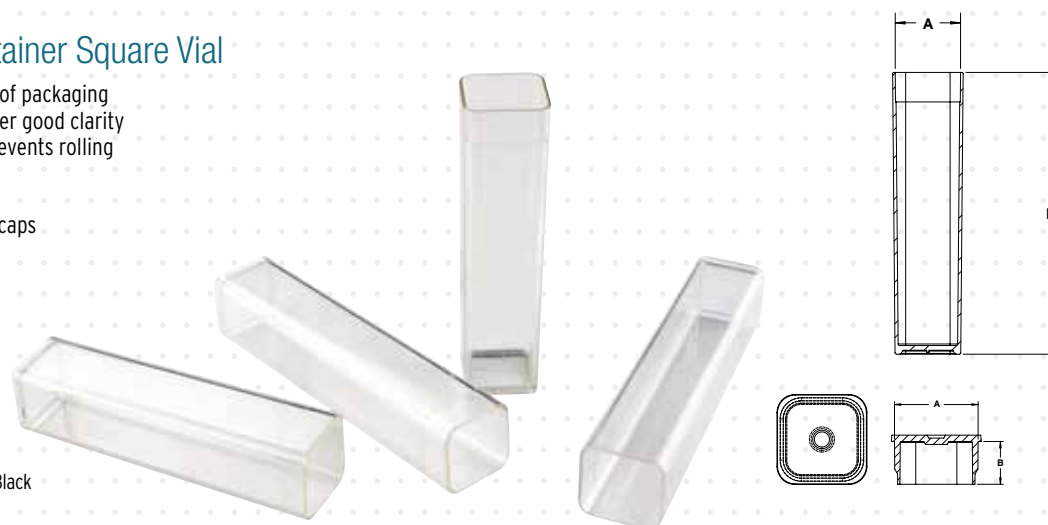
CSV Series Container Square Vial

CSV Series square vials meet a variety of packaging applications and are reusable. They offer good clarity to view contents. The square design prevents rolling and allows for ease of stacking.

- Packaged in sets, including vials and caps
- Easy removal cap
- Printing option for both vial and cap

Vial
Material: Polypropylene **Color:** Natural

Plug
Material: Low-Density Polyethylene **Color:** Black



Container Square Vial CSV Series

Caplugs No.	Dimensions				Packaging	
	A		B		Carton Quantity	Mini Pak Quantity
	In	mm	In	mm		
CSV-875-3.500	.830	21.08	3.58	90.93	1000	n/a
CSV-875-4.000	.830	21.08	4.00	101.60	1000	n/a

Plugs for ClearView® Square Tubes

Caplugs No.	Dimensions			
	A		B	
	In	mm	In	mm
PSV-0875	.860	21.84	0.440	11.18

VSC Series Vinyl Square Caps

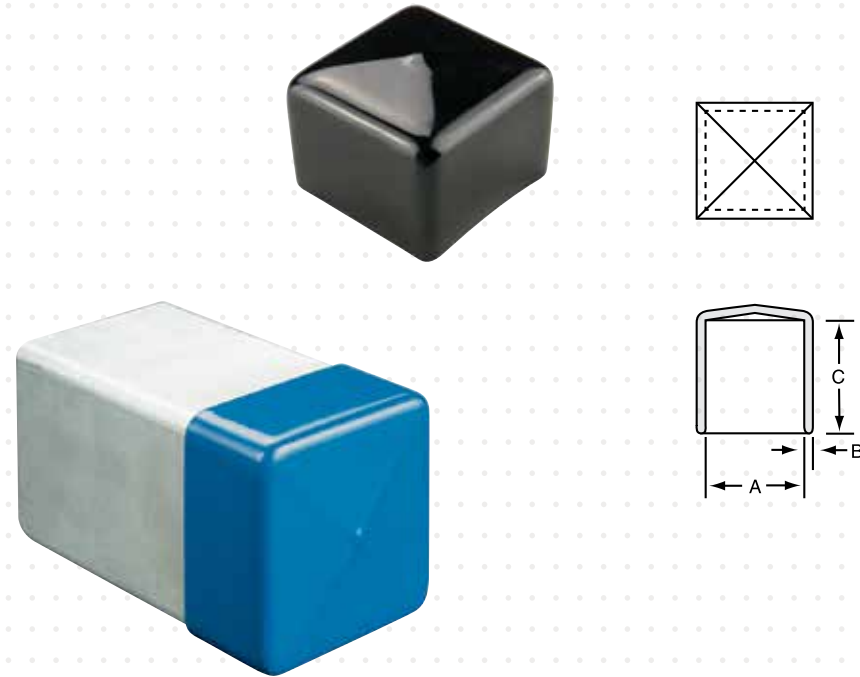
VSC Series vinyl square caps are designed for use with square tubing. The caps are strong and tough, yet flexible enough to stretch out for a perfect fit.

- Available in a wide range of sizes
- Excellent finishing parts

Material: Vinyl **Color:** Black
Optional Colors: White, Brown, Orange, Green, Gray, Blue, Yellow, Red

Note when purchasing:
 • VSC-250 through VSC-750 are available in lengths up to 4".
 • VSC-1000 through VSC-4000 are available in lengths up to 8".
 • Sample requests are for parts listed in chart only.

FLEX 500 Several vinyl series are available in temperature-resistant Flex500.[®]



Vinyl Square Caps VSC Series

**Radius edges †Can be used for waveguide protection

Caplugs No.	Dimensions						Packaging	
	A		B		C		Carton Quantity	Mini Pak Quantity
	In	mm	In	mm	In	mm		
VSC-250-8	.250	6.35	.050	1.27	.500	12.70	5000	1000
VSC-250-16	.250	6.35	.050	1.27	1.000	25.40	5000	1000
VSC-312-8	.312	7.92	.050	1.27	.500	12.70	5000	1000
VSC-312-16	.312	7.92	.050	1.27	1.000	25.40	5000	1000
VSC-375-8	.375	9.53	.050	1.27	.500	12.70	2500	500
VSC-375-16	.375	9.53	.050	1.27	1.000	25.40	2500	500
VSC-437-8	.437	11.10	.065	1.65	.500	12.70	5000	1000
VSC-437-16	.437	11.10	.065	1.65	1.000	25.40	5000	1000
VSC-500-8	.500	12.70	.065	1.65	.500	12.70	3000	600
VSC-500-16	.500	12.70	.065	1.65	1.000	25.40	2000	400
VSC-625-8	.625	15.87	.065	1.65	.500	12.70	2500	500
VSC-625-16	.625	15.87	.065	1.65	1.000	25.40	1500	300
VSC-750-8†	.750	19.05	.065	1.65	.500	12.70	2000	400
VSC-750-16	.750	19.05	.065	1.65	1.000	25.40	1000	200
VSC-875-8†	.870	22.22	.065	1.65	.500	12.70	1000	200
VSC-875-14	.870	22.22	.065	1.65	.870	22.22	1000	200
VSC-1000-8	1.000	25.40	.065	1.65	.500	12.70	1500	300
VSC-1000-16	1.000	25.40	.065	1.65	1.000	25.40	900	180
VSC-1250-8	1.250	31.75	.065	1.65	.500	12.70	1000	200
VSC-1250-16	1.250	31.75	.065	1.65	1.000	25.40	700	140
VSC-1310-8†	1.310	33.27	.065	1.65	.500	12.70	1000	200
VSC-1375-8	1.375	34.93	.065	1.65	.500	12.70	1000	200
VSC-1375-16	1.375	34.93	.065	1.65	1.000	25.40	750	150
VSC-1500-8†	1.500	38.10	.065	1.65	.500	12.70	900	180
VSC-1500-16	1.500	38.10	.065	1.65	1.000	25.40	600	120
VSC-1625-8+**	1.625	41.28	.065	1.65	.500	12.70	1000	200
VSC-1625-16**	1.625	41.28	.065	1.65	1.000	25.40	500	100
VSC-1750-8	1.750	44.45	.065	1.65	.500	12.70	700	140
VSC-1750-16	1.750	44.45	.065	1.65	1.000	25.40	500	100
VSC-1875-8†	1.875	47.62	.065	1.65	.500	12.70	600	120
VSC-1875-16	1.875	47.62	.065	1.65	1.000	25.40	400	80
VSC-2000-8	2.000	50.80	.065	1.65	.500	12.70	600	120
VSC-2000-16	2.000	50.80	.065	1.65	1.000	25.40	400	80
VSC-2500-16	2.500	63.50	.065	1.65	1.000	25.40	300	60
VSC-3000-16	3.000	76.20	.080	2.03	1.000	25.40	200	40
VSC-3500-16	3.500	88.90	.080	2.03	1.000	25.40	200	40
VSC-4000-16	4.000	101.60	.080	2.03	1.000	25.40	100	20
VSC-8000-24	8.000	203.20	.085	2.16	1.500	38.10	10	n/a

TSE Series Tube Square End Plugs

TSE Series tube square ends were designed to plug TSC Series square tubing. The TSE fits securely into tubing to create attractive and unique packaging.

Material: Low-Density Polyethylene **Color:** Black



Tube Square End Plugs TSE Series

Caplugs No.	Dimensions				Carton Quantity
	A		B		
	In	mm	In	mm	
TSE-750	.734	18.65	.44	11.2	5000
TSE-875	.860	21.84	.44	11.2	4000

TE Series Tube End Plugs

TE Series end plugs are designed for Caplugs' ClearView® plastic tubing. This series fits securely into tubing, creating attractive, unique packaging. While this series was developed for our tubing, its versatile design makes it ideal for a variety of other packaging applications.

Material: Low-Density Polyethylene **Color:** Black



Tube End Plugs TE Series

Caplugs No.	Fits Tube Size	Dimensions						Packaging	
		A		B		C		Carton Quantity	Mini Pak Quantity
		In	mm	In	mm	In	mm		
TE-500	TRO/TRC-500	.553	14.04	.600	15.23	.320	8.12	5000	1000
TE-625	TRO/TRC-625	.719	18.26	.770	19.55	.320	8.12	5000	1000
TE-750	TRO/TRC-750	.813	20.64	.860	21.84	.320	8.12	5000	1000
TE-875	TRO/TRC-875	.949	24.10	1.000	25.39	.320	8.12	5000	1000
TE-937	TRO/TRC-937	1.034	26.25	1.060	26.91	.380	9.65	5000	1000
TE-1000	TRO/TRC-1000	1.105	28.06	1.140	28.94	.380	9.65	5000	1000
TE-1125	TRO/TRC-1125	1.221	31.00	1.270	32.25	.380	9.65	2500	500
TE-1187	TRO/TRC-1187	1.293	32.83	1.350	34.28	.380	9.65	2500	500
TE-1250	TRO/TRC-1250	1.373	34.86	1.420	36.05	.380	9.65	2250	450
TE-1375	TRO/TRC-1375	1.448	36.76	1.500	38.09	.380	9.65	2000	400
TE-1500	TRO/TRC-1500	1.657	42.07	1.720	43.67	.440	11.17	1500	300
TE-1625	TRO/TRC-1625	1.724	43.77	1.780	45.19	.440	11.17	1500	300
TE-1750	TRO/TRC-1750	1.834	46.57	1.890	47.99	.440	11.17	1250	250
TE-1875	TRO/TRC-1875	1.975	50.15	2.080	52.81	.440	11.17	1000	200
TE-2000	TRO/TRC-2000	2.085	52.94	2.190	55.60	.440	11.17	1000	200
TE-2250	TRO/TRC-2250	2.329	59.13	2.440	61.95	.500	12.70	750	150
TE-2500	TRO/TRC-2500	2.580	65.51	2.700	68.55	.500	12.70	650	130
TE-2625	TRO/TRC-2625	2.720	69.06	2.840	72.11	.500	12.70	600	120
TE-2750	TRO/TRC-2750	2.800	71.09	2.920	74.14	.500	12.70	600	120
TE-3000	TRO/TRC-3000	3.095	78.58	3.220	81.76	.500	12.70	500	100
TE-3500	TRO/TRC-3500	3.585	91.02	3.700	93.94	.560	14.22	350	70

TE-TAB Series Tube End Plugs with Tabs

TE-TAB Series tube end plugs with tabs have been designed for Caplugs' ClearView™ plastic tubing. This series fits securely into tubing with a thumb tab for easy removal. While it was developed for our tubing, its versatile design makes it ideal for a variety of other packaging applications.

Material: Low-Density Polyethylene **Color:** Black



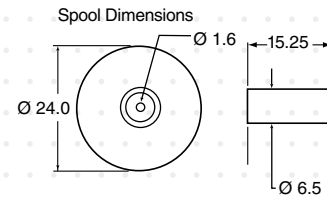
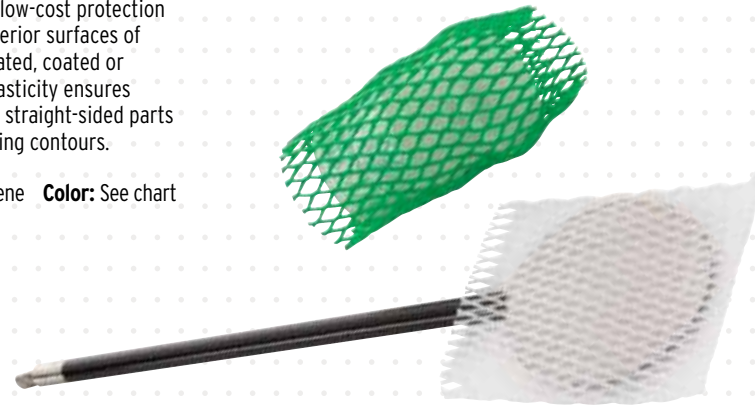
Tube End Plugs with Tabs TE-TAB Series

Caplugs No.	Fits Tube Size	Dimensions						Packaging	
		A		B		C		Carton Quantity	Mini Pak Quantity
		In	mm	In	mm	In	mm		
TE-500-TAB	TRO/TRC-500	.553	14.04	.600	15.23	.320	8.12	5000	1000
TE-625-TAB	TRO/TRC-625	.719	18.26	.770	19.55	.320	8.12	5000	1000
TE-750-TAB	TRO/TRC-750	.813	20.64	.860	21.84	.320	8.12	5000	1000
TE-875-TAB	TRO/TRC-875	.949	24.10	1.000	25.39	.320	8.12	5000	1000
TE-937-TAB	TRO/TRC-937	1.034	26.25	1.060	26.91	.380	9.65	5000	1000
TE-1000-TAB	TRO/TRC-1000	1.105	28.06	1.140	28.94	.380	9.65	5000	1000
TE-1125-TAB	TRO/TRC-1125	1.221	31.00	1.270	32.25	.380	9.65	2500	500
TE-1187-TAB	TRO/TRC-1187	1.293	32.83	1.350	34.28	.380	9.65	2500	500
TE-1250-TAB	TRO/TRC-1250	1.373	34.86	1.420	36.05	.380	9.65	2250	450
TE-1375-TAB	TRO/TRC-1375	1.448	36.76	1.500	38.09	.380	9.65	2000	400
TE-1500-TAB	TRO/TRC-1500	1.657	42.07	1.720	43.67	.440	11.17	1500	300
TE-1625-TAB	TRO/TRC-1625	1.724	43.77	1.780	45.19	.440	11.17	1500	300
TE-1750-TAB	TRO/TRC-1750	1.834	46.57	1.890	47.99	.440	11.17	1250	250
TE-1875-TAB	TRO/TRC-1875	1.975	50.15	2.080	52.81	.440	11.17	1000	200
TE-2000-TAB	TRO/TRC-2000	2.085	52.94	2.190	55.60	.440	11.17	1000	200
TE-2250-TAB	TRO/TRC-2250	2.329	59.13	2.440	61.95	.500	12.70	750	150
TE-2500-TAB	TRO/TRC-2500	2.580	65.51	2.700	68.55	.500	12.70	650	130
TE-2625-TAB	TRO/TRC-2625	2.720	69.06	2.840	72.11	.500	12.70	600	120
TE-2750-TAB	TRO/TRC-2750	2.800	71.09	2.920	74.14	.500	12.70	600	120
TE-3000-TAB	TRO/TRC-3000	3.095	78.58	3.220	81.76	.500	12.70	500	100
TE-3500-TAB	TRO/TRC-3500	3.585	91.02	3.700	93.94	.560	14.22	350	70

SW Series Standard-Duty Sleeve-Web® Netting

Standard Duty Sleeve-Web® netting [approximately .070" (1.78 mm) thick] provides low-cost protection against physical damage to exterior surfaces of machined, ground, polished, plated, coated or cylindrical medical parts. Its elasticity ensures a snug fit and a nonslip grip on straight-sided parts and those with tapered or varying contours.

Material: Low-Density Polyethylene **Color:** See chart



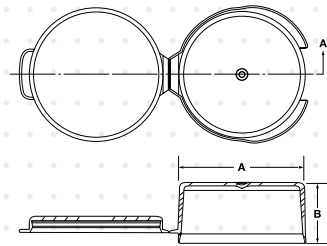
Standard-Duty Sleeve-Web® Netting SW Series

Caplugs No.	Dimensions		Color	Packaging			
	To Fit O.D.	To Fit O.D.		Standard Coil		Mini Coil	
	In	mm		Feet	meters	Feet	meters
SW-03	1/4 to 3/8	6.35 - 9.53	Orange	3500	1066	700	213
SW-04	3/8 to 3/4	9.53 - 19.05	Green	3000	914	600	180
SW-05	1/2 to 1	12.70 - 25.40	Blue	2750	840	550	170
SW-10	1 to 1-1/2	25.40 - 38.10	Red	1700	520	340	100
SW-15	1-1/2 to 2	38.10 - 50.80	Black	900	270	180	55
SW-20	2 to 2-1/2	50.80 - 63.50	White	800	240	160	50
SW-25	2-1/2 to 3	63.50 - 76.20	Yellow	600	180	120	35
SW-30	3 to 4	76.20 - 101.60	Green	450	140	90	30
SW-40	4 to 5	101.60 - 127.00	Orange	350	110	70	20
SW-50	5 to 6-1/4	127.00 - 158.75	Natural	250	80	50	15.2
SW-64	6-1/4 to 7-1/2	158.76 - 190.51	Blue	250	80	50	15.2
SW-75	7-1/2 to 9	190.51 - 228.61	Red	200	60	40	12.2
SW-90	9 to 10	228.61 - 254.01	Yellow	200	60	40	12.2

CVC Series Hinged Containers

CVC Series hinged containers are equipped with a tethered top to ensure that they cannot be lost. These containers are ideal for packaging instrument tips, orthopaedic screws and other small components, offering the end user a reusable storage case.

Material: Polypropylene **Color:** Natural (clear)



Hinged Containers CVC Series

Caplugs No.	Dimensions				Packaging	
	A		B		Carton Quantity	Mini Pak Quantity
	In	mm	In	mm		
CVC-1.00-1/2-HL	.84	21.4	.51	13.0	2000	400
CVC-1.00-1-1/2-HL	.84	21.2	1.43	36.3	3000	600
CVC-1.00-2-HL	.83	21.1	1.91	48.5	1350	270
CVC-1.25-1/2-HL	1.09	27.8	.51	13.0	2500	500
CVC-1.25-2-1/2-HL	1.03	26.2	2.41	61.2	1300	260
CVC-1.50-1/2-HL	1.47	37.3	.52	13.2	2500	500
CVC-1.50-1-1/2-HL	1.46	37.1	1.43	36.3	1000	200
CVC-1.50-2-1/2-HL	1.45	36.8	2.40	61.0	700	140
CVC-2.00-1/2-TC	1.81	46.0	.49	12.5	500	100
CVC-2.00-1-HL	1.93	49.0	.85	21.6	1000	200
CVC-2.00-3-1/4-HL	1.90	48.3	3.12	79.3	300	60

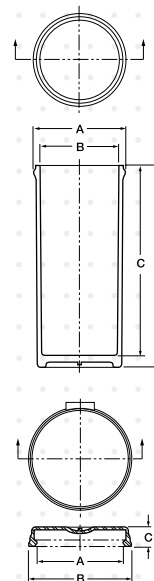
CVV Series Vials

CVV Series vials are ideal for a wide range of packaging applications, including instrument tips and other small medical components. These vials provide a unique packaging alternative that offers the end user a reusable container. This series is packaged in sets that include both vials and caps.

• Pad printing available

• Available in a variety of opaque colors

Material: Polypropylene **Color:** Natural (clear)



Vials CVV Series

Caplugs No.	DRAM Size	Fluid Oz.	Dimensions								Packaging	
			A		B		C		D		Carton Quantity	Mini Pak Quantity
			In	mm	In	mm	In	mm	In	mm		
CVV-35ASM	3.5	.44	.975	24.77	.830	21.08	1.400	35.56	1.520	38.61	1500	300
CVV-50ASM	5	.63	.966	24.54	.830	21.08	2.000	50.80	2.120	53.85	1500	300
CVV-70ASM	7	.88	1.116	28.35	.980	24.89	2.050	52.07	2.170	55.12	900	180
CVV-90ASM	9	1.13	1.116	28.35	.980	24.89	2.610	66.29	2.730	69.34	900	180
CVV-120ASM	12	1.50	1.308	33.22	1.160	29.46	2.650	67.31	2.760	70.10	550	110
CVV-150ASM	15	1.88	1.300	33.02	1.160	29.46	3.270	83.06	3.380	85.85	550	110
CVV-200ASM	20	2.50	1.668	42.37	1.520	38.61	2.730	69.34	2.850	72.39	350	70
CVV-250ASM	25	3.13	1.671	42.44	1.520	38.61	3.260	82.80	3.390	86.11	350	70
CVV-400ASM	40	5.00	2.039	51.79	1.890	48.01	3.230	82.04	3.350	85.09	175	35
CVV-500ASM	50	6.25	2.026	51.46	1.890	48.01	4.200	106.68	4.320	109.73	175	35

Cap Dimensions

Caplugs No.	A		B		C	
	In	mm	In	mm	In	mm
CVV-35ASM & CVV-50ASM	.920	23.37	1.090	27.69	.210	5.33
CVV-70ASM & CVV-90ASM	1.080	27.43	1.240	31.50	.210	5.33
CVV-120ASM & CVV-150ASM	1.250	31.75	1.420	36.07	.210	5.33
CVV-200ASM & CVV-250ASM	1.605	40.77	1.780	45.21	.210	5.33
CVV-400ASM & CVV-500ASM	1.980	50.29	2.150	54.61	.210	5.33



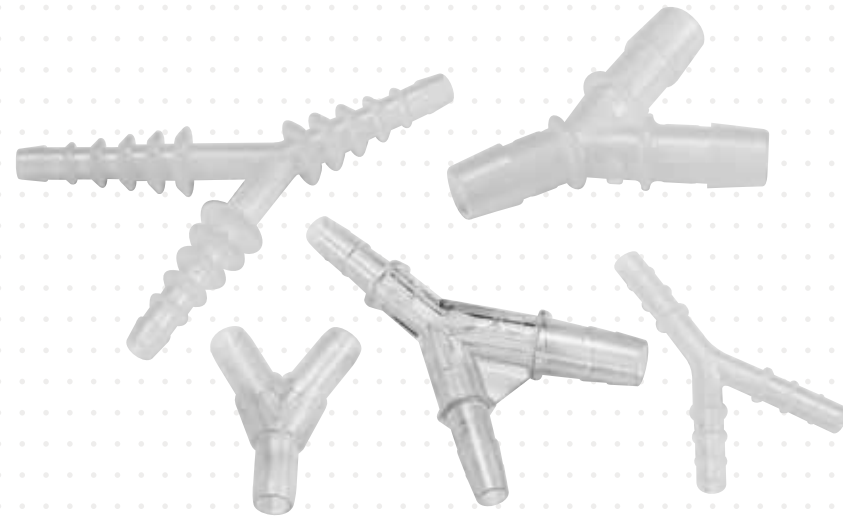
Fluid Management/Connectors

Caplugs connector line features a variety of clamps and Y-connectors designed for a range of applications, including wound drainage and perfusion. All of the connectors are available in popular sizes and materials, from flexible PVC to more rigid polycarbonate.

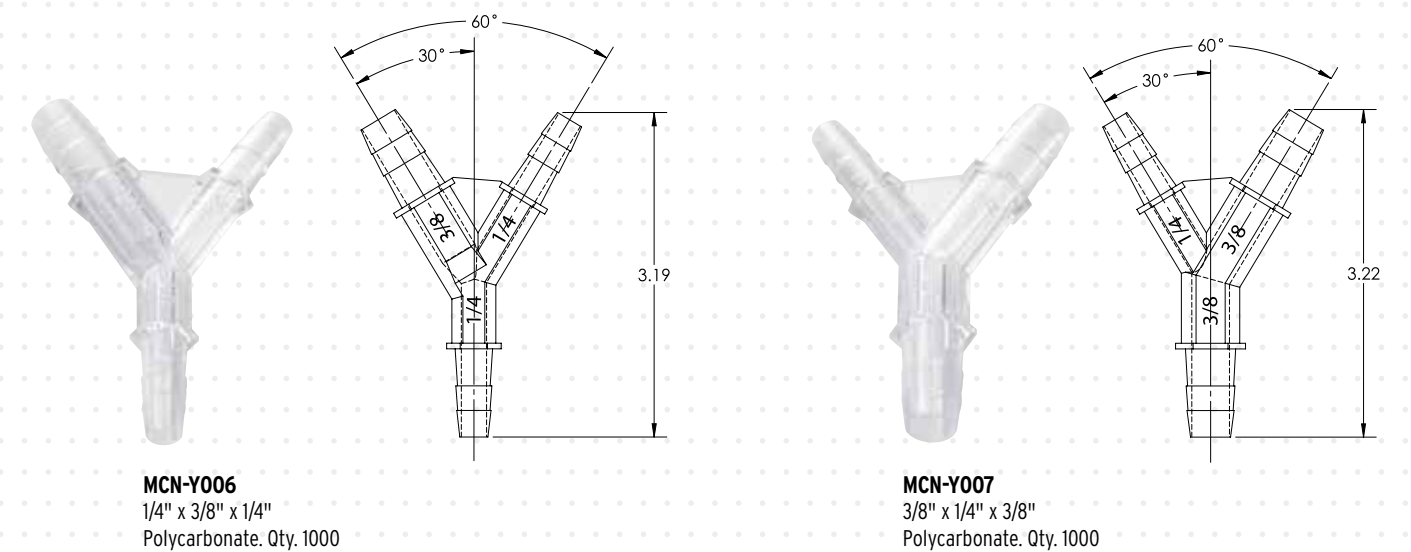
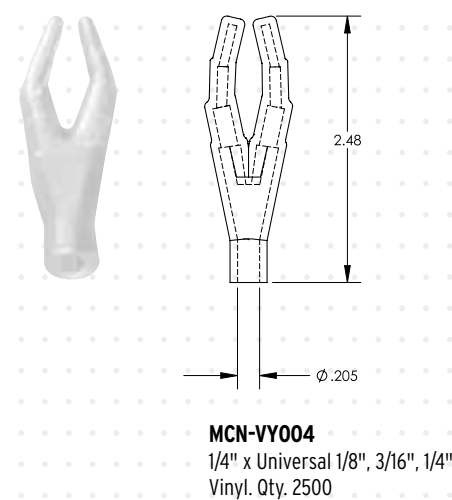
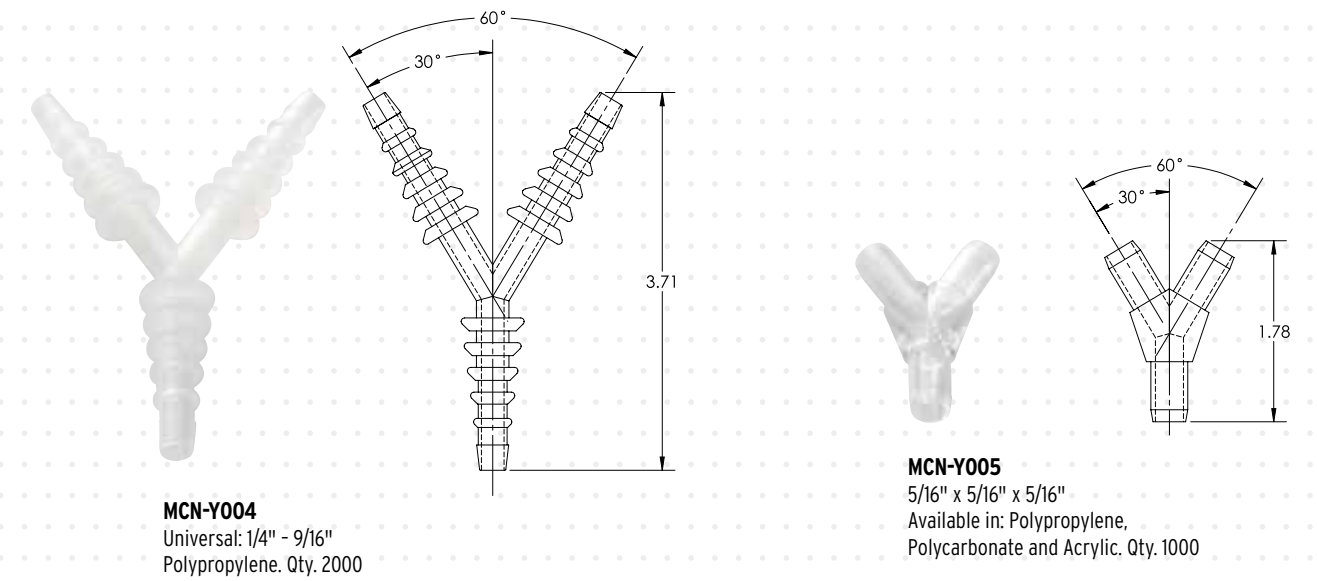
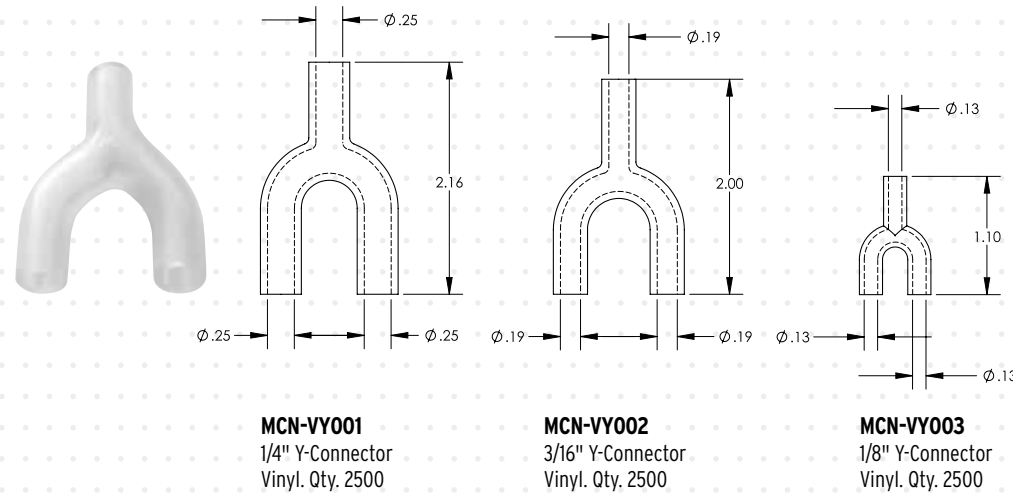
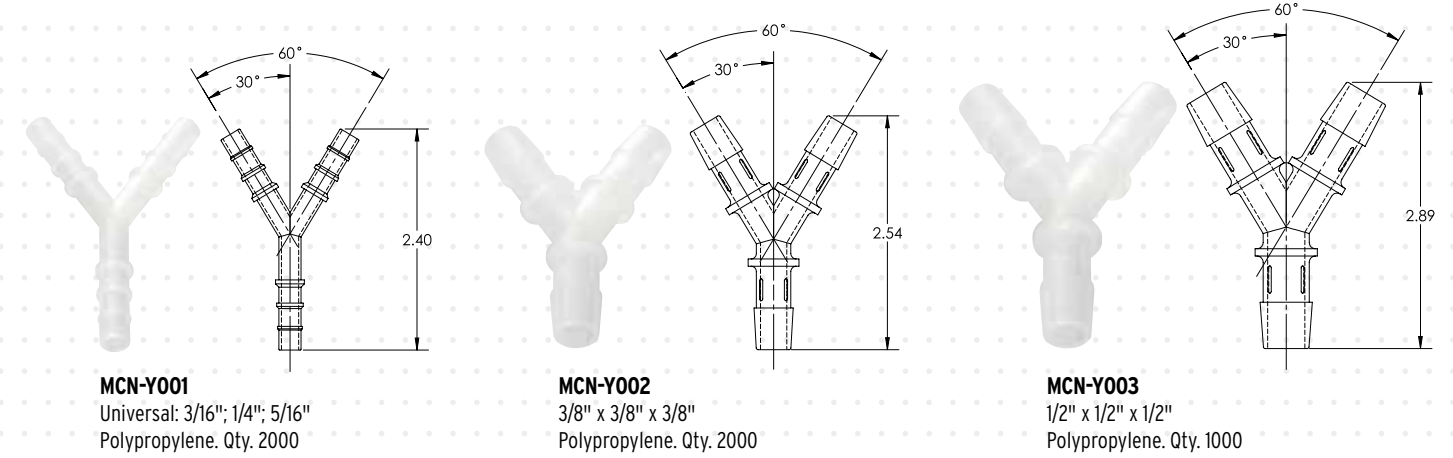
MCN-Y Series Y Connectors

Y-connectors are designed to meet all connector needs with a variety of applications, including wound drainage and perfusion. Various sizes and materials are available from flexible PVC to more rigid polycarbonate. Popular tubing IDs are accommodated from 3/16" to 1/2". In addition to the catalog offering, our team of design engineers can design a part to meet your specific needs.

Material: Various **Color:** Natural



Y Connectors MCN-Y Series

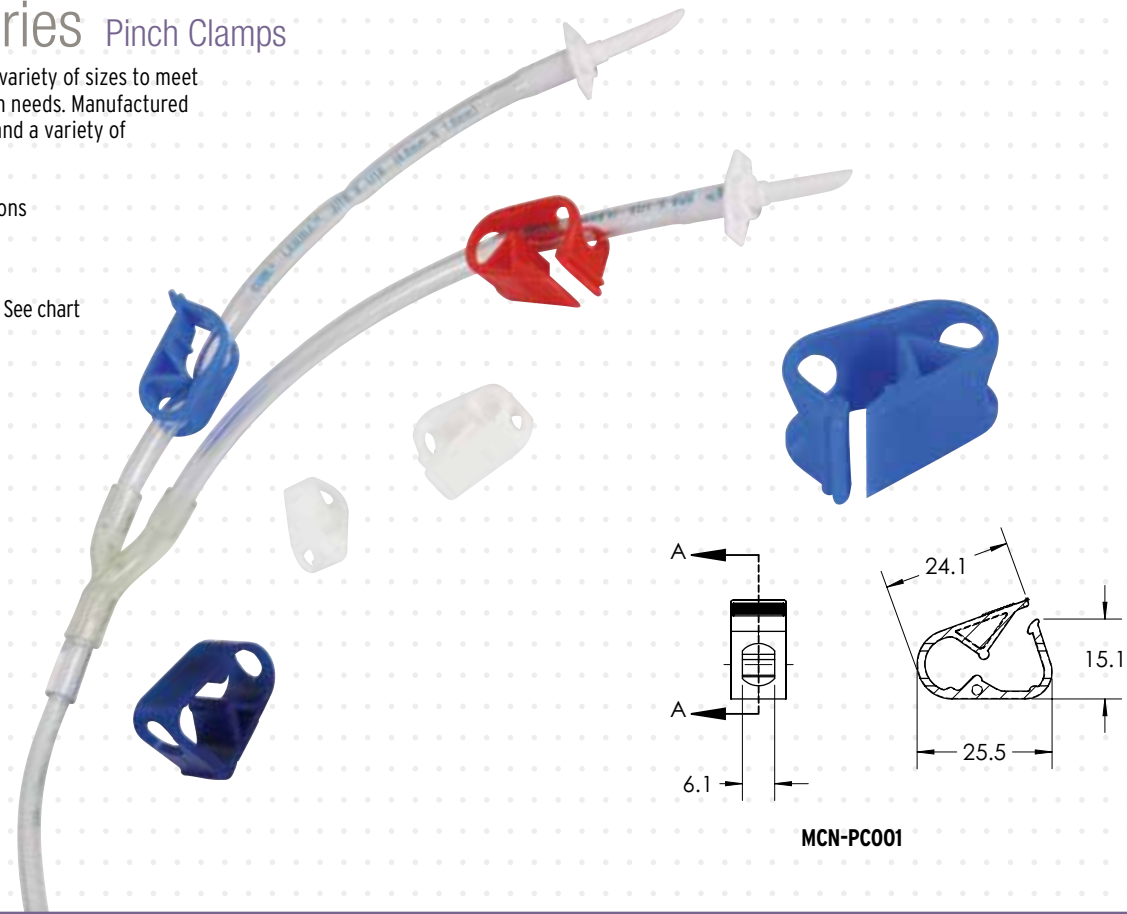


MCN-PC Series Pinch Clamps

Pinch clamps are available in a variety of sizes to meet IV access, dialysis and perfusion needs. Manufactured to be heat resistant and withstand a variety of sterilization processes.

- Meets a variety of IV applications
- Additional colors available

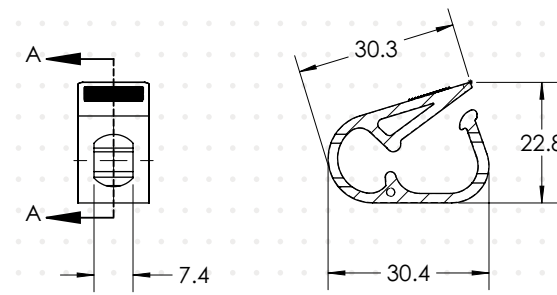
Material: Polypropylene **Color:** See chart



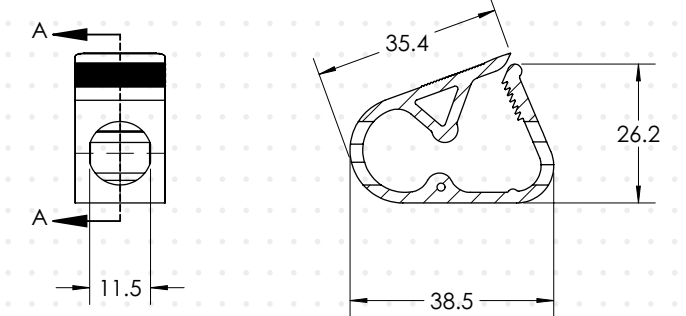
MCN-PC001

Pinch Clamps MCN-PC Series

Caplugs No.	Description	To Fit OD Tubing Up to	Material	Color	Carton Quantity
MCN-PC001	Small Pinch Clamp .16"	1/8"	Polypropylene	White	5000
MCN-PC002	Medium Pinch Clamp .248"	1/4"	Polypropylene	White	5000
MCN-PC003	Large Pinch Clamp .268"	1/4"	Polypropylene	Blue	2000



MCN-PC002



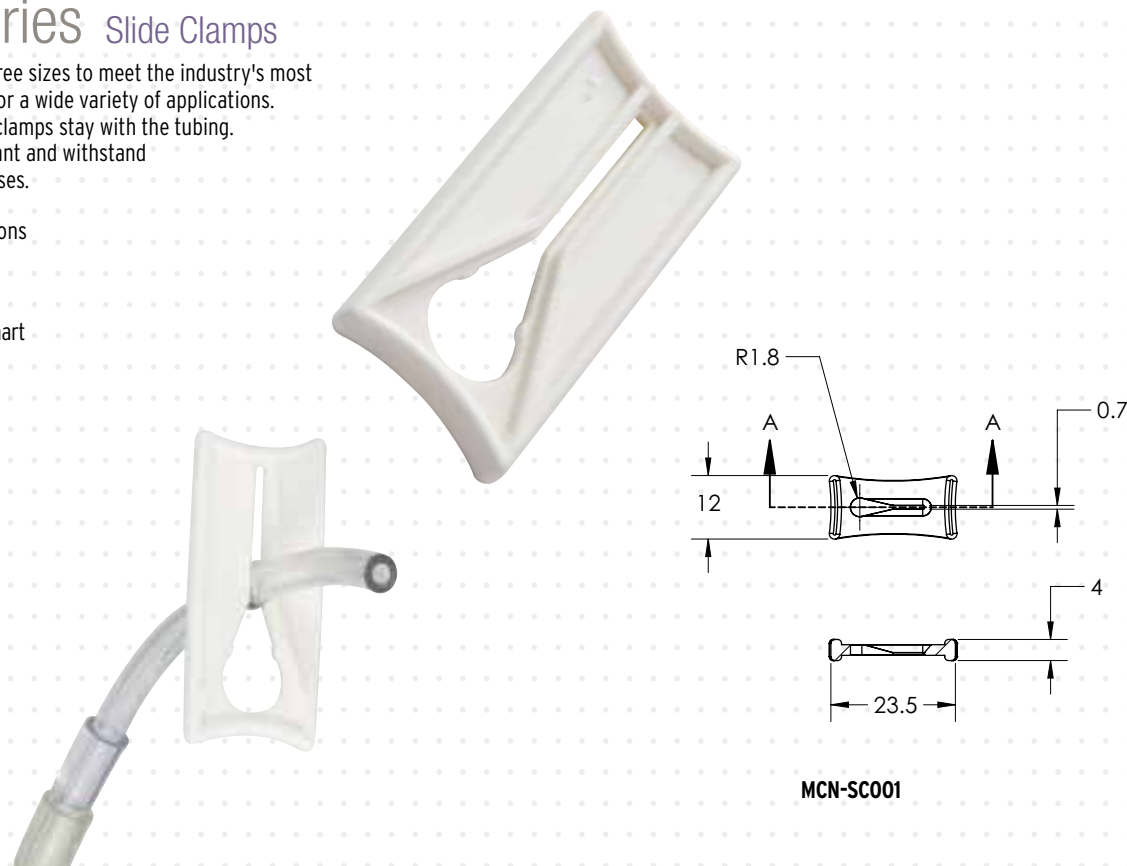
MCN-PC003

MCN-SC Series Slide Clamps

Slide clamps are available in three sizes to meet the industry's most popular medical tubing needs for a wide variety of applications. The closed design ensures the clamps stay with the tubing. Manufactured to be heat resistant and withstand a variety of sterilization processes.

- Meets a variety of IV applications
- Additional colors available

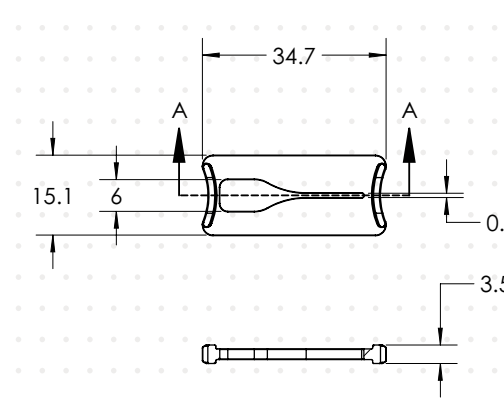
Material: Various **Color:** See chart



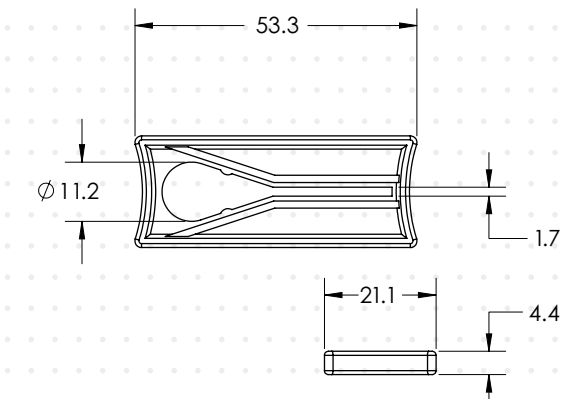
MCN-SC001

Slide Clamps MCN-SC Series

Caplugs No.	Description	To Fit OD Tubing Up to	Material	Color	Carton Quantity
MCN-SC001	Small Slide Clamp .078" - .10"	1/16"	High-Density Polyethylene	White	5000
MCN-SC002	Small Slide Clamp .012"	1/8"	Polypropylene	Blue	10000
MCN-SC004	Large Slide Clamp .025"	1/4"	High-Density Polyethylene	White	10000



MCN-SC002



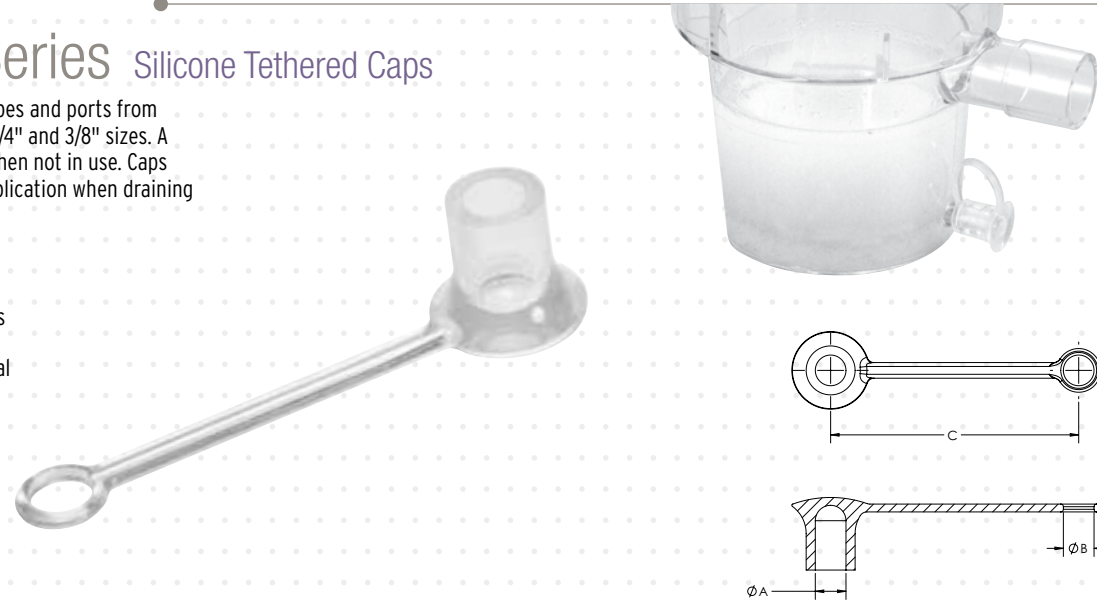
MCN-SC004

MCN-TCS Series Silicone Tethered Caps

MCN-TCS Series caps protect tubes and ports from contamination, fitting popular 1/4" and 3/8" sizes. A tether keeps the cap in place when not in use. Caps provide easy removal and reapplication when draining fluid.

- USP Class VI silicone
- Meets a variety of applications

Material: Silicone **Color:** Natural



Silicone Tethered Caps MCN-TCS Series

Caplugs No.	Description	Color	Dimensions						Standard Packs per Carton
			A		B		C		
			In	mm	In	mm	In	mm	
MCN-TCS-100	Silicone Tethered Cap 1/4"	Natural	.235	5.97	.24	6.10	1.90	48.26	5000
MCN-TCS-200	Silicone Tethered Cap 3/8"	Natural	.360	9.14	.36	9.14	1.90	48.26	5000

MCN-TCV Series Vinyl Tethered Caps

MCN-TCV Series caps protect tubes and ports from contamination, fitting popular 1/4" and 3/8" sizes. A tether keeps the cap in place when not in use. The bulb design provides easy removal and reapplication when draining fluid with a bulb design.

- Meets a variety of applications
- Additional colors available

Material: Vinyl **Color:** Blue



Vinyl Tethered Caps MCN-TCV Series

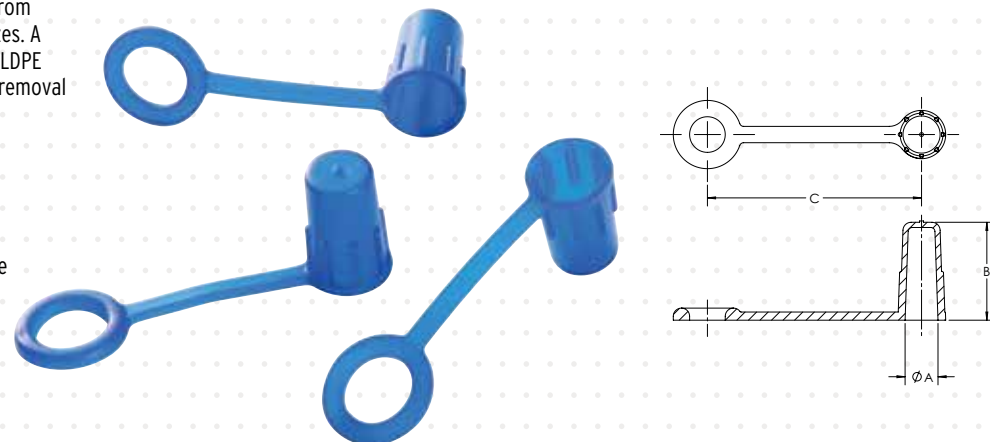
Caplugs No.	Description	Color	Dimensions						Standard Packs per Carton
			A		B		C		
			In	mm	In	mm	In	mm	
MCN-TCV-100	Vinyl Tethered Cap 1/4"	Blue	.250	6.35	.313	7.95	.75	19.05	5000
MCN-TCV-200	Vinyl Tethered Cap 3/8"	Blue	.375	9.53	.438	11.13	.75	19.05	5000

MCN-TCP Series Plastic Tethered Caps

MCN-TCP Series caps protect tubes and ports from contamination, fitting popular 1/4" and 3/8" sizes. A tether keeps the cap in place when not in use. LDPE material with ribs provides easy grasping and removal when draining fluid.

- Meets a variety of applications
- Additional colors available

Material: Low-Density Polyethylene **Color:** Blue



Plastic Tethered Caps MCN-TCP Series

Caplugs No.	Description	Dimensions						Standard Packs per Carton
		A		B		C		
		In	mm	In	mm	In	mm	
MCN-TCP-100	LDPE Tethered Cap 1/4"	.252	6.40	.75	19.05	1.64	41.66	5000
MCN-TCP-200	LDPE Tethered Cap 3/8"	.377	9.58	.75	19.05	1.64	41.66	5000

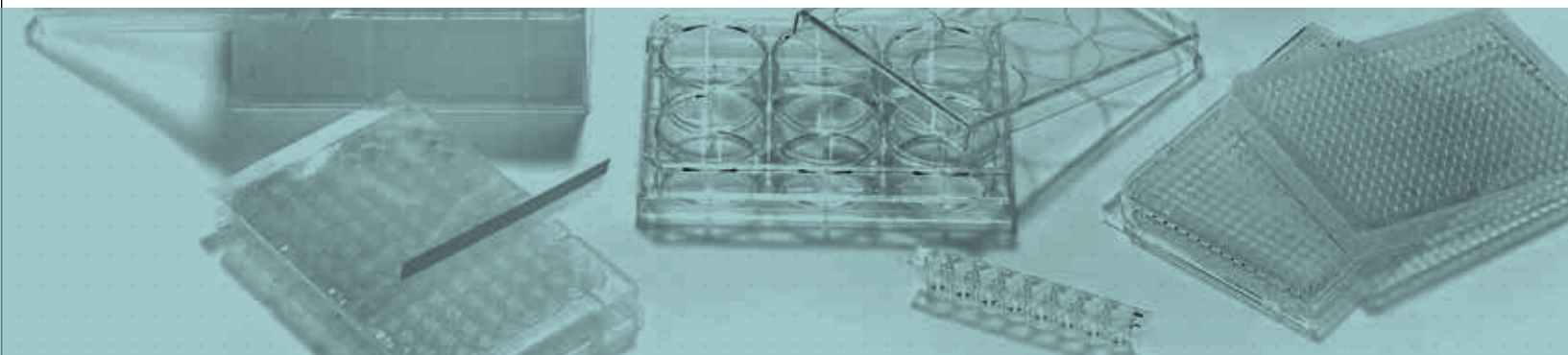


Single-Use Labware

As your medical molding partner, Caplugs has an extensive inventory of quality, single-use labware designed specifically for the task at hand. Before making your final selections, we offer free, high-quality samples across our full catalog range. Visit www.evergreensci.com to view our category-specific products and to secure your samples.

General Laboratory

Well plates, tubes, vials and other storage and liquid handling products suited for general laboratory needs are available.



Visit www.evergreensci.com

Cytology – Histopathology

This line features a variety of specimen containers, as well as slide transport and storage devices.



to request our full line catalog

Clinical Chemistry

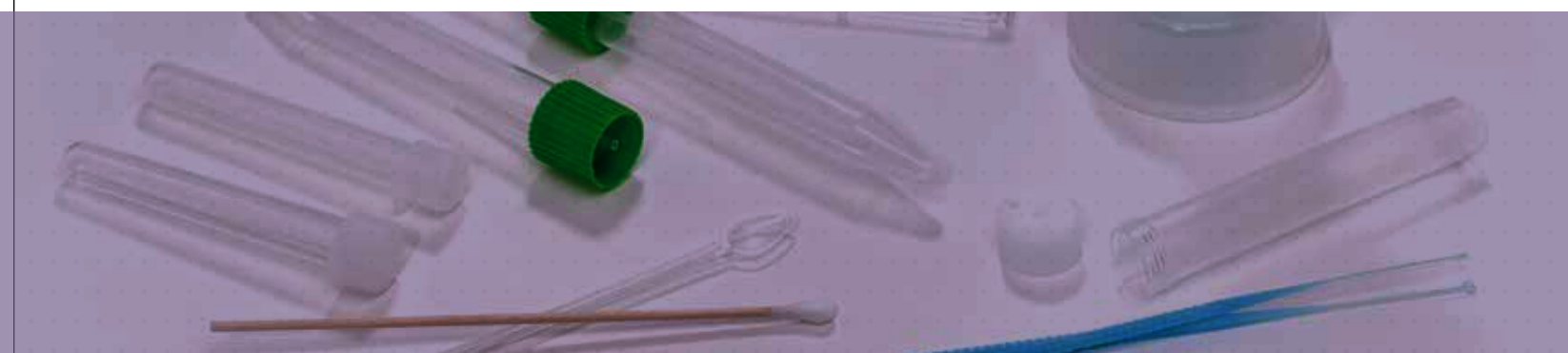
Autoanalyzer consumables, columns and dilution vials are included in our clinical chemistry product range.



and samples of all our labware products

Microbiology

A large selection of inoculation tools, assemblies and trays, as well as sterile tubes and parasite collection/processing.

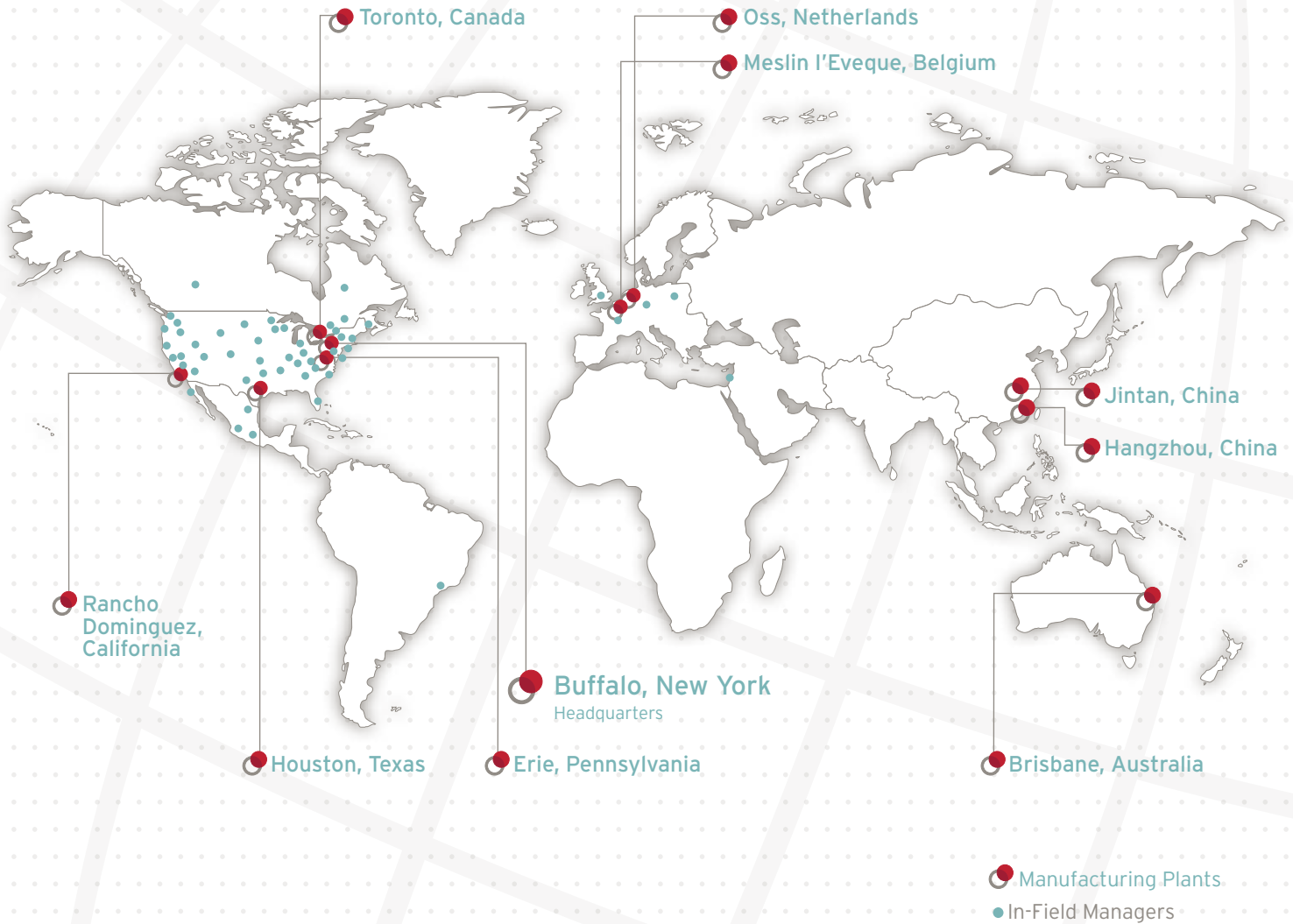


Global Powerhouse

Caplugs is the leader in custom molded components, masking solutions and product protection. We offer the personalized service, range of capabilities, manufacturing expertise and scalable infrastructure to be your trusted partner.

10 global manufacturing facilities

30+ in-field product specialists



1.888.CAPPLUGS | +1 716 876 9855

www.caplugs.com/medical | sales@caplugs.com

© Protective Industries, Inc. 2021. The information contained herein is proprietary to Caplugs and may not be used or disseminated inappropriately. All trademarks, except where noted, are property of Protective Industries, Inc.



My CapXpress™ is your new online account portal that gives you full control.

- > View full order history including phone orders
- > Reorder catalog and custom orders with one click
- > View and print invoices and packing slips
- > See full sample history
- > Set up an account in minutes